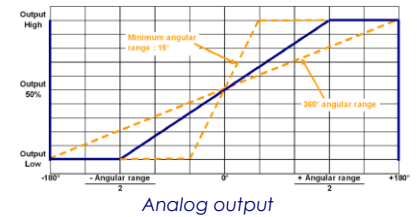
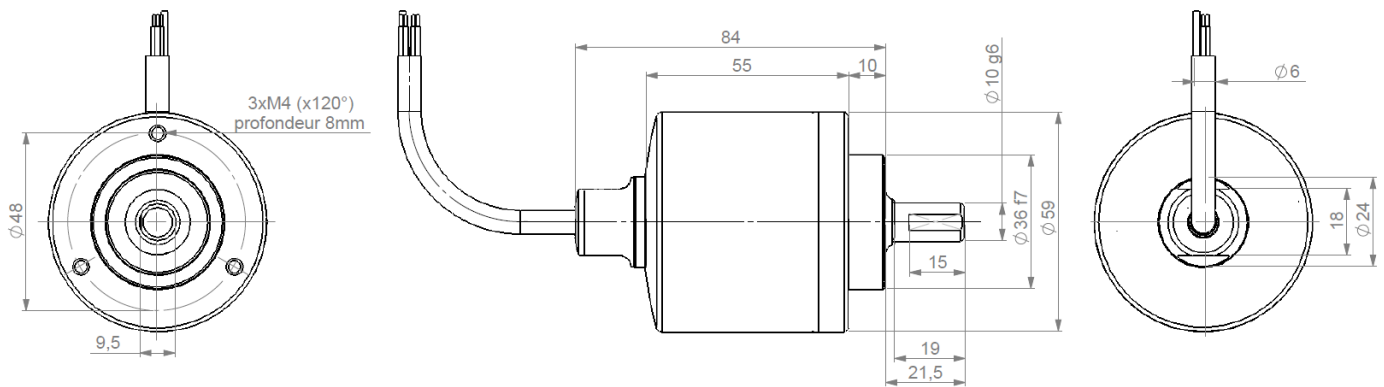


## MAGNETIC ANALOG SINGLE-TURN ENCODERS, AXM5S – STAINLESS STEEL 316 - IP69K

- Adapted to food and beverage – pharmaceutic - river – offshore applications,
- Stainless steel encoder (316) with hygienic design,
- Flanges and shaft adapted to the market needs,
- Robustness and excellent resistance to shocks / vibrations,
- Double ball bearings with safety lock system,
- High protection level IP69K,
- Power supply from 10 to 30Vdc.
- Available output interfaces : 0..10V, 0.5..4.5V, 4..20mA,
- High performances in temperature –40°C to +85°C,
- Magnetic technology, Hall effect contactless,
- Available resolution up to 12 bits per revolution.
- Adapted axial cable gland output.



### AXM5S10 DIMENSIONS



### MECHANICAL CHARACTERISTICS

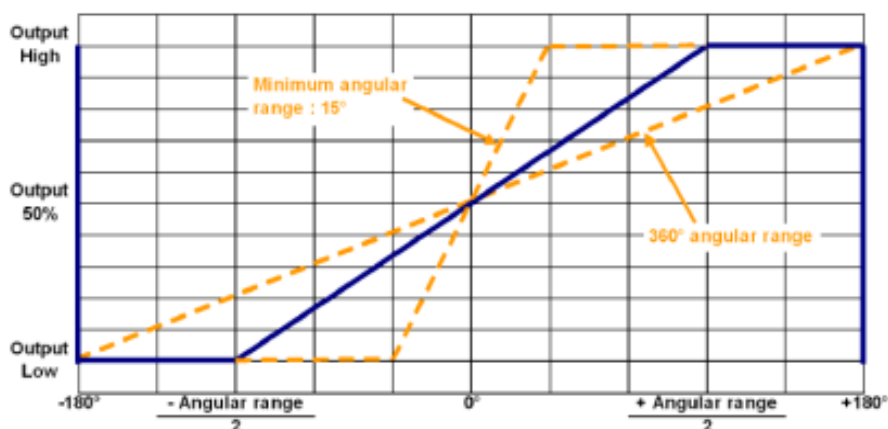
Material	Shaft: Stainless steel 316	Shaft inertia	$\leq 1,2 \cdot 10^{-6}$ kg.m <sup>2</sup>
	Cover: Stainless steel 316	Torque	$\leq 90 \cdot 10^{-3}$ N.m
	Body: Stainless steel 316	Shocks (EN60068-2-27)	$\leq 2000$ m.s <sup>-2</sup> (during 6 ms)
Bearings	Double ball bearings	Vibrations (EN60068-2-6)	$\leq 200$ m.s <sup>-2</sup> (55 ... 2 000 Hz)
Maximal loads	Axial : 250 N	Encoder weight (approx.)	0,600 kg
	Radial : 500 N	Protection(EN 60529)	IP 69K
Theoretical mechanical lifetime 10 <sup>9</sup> turns (F <sub>axial</sub> / F <sub>radial</sub> ) 50 N / 100 N : 12 250 N / 500 N : 0,5		EMC	EN 61000-6-4, EN 61000-6-2
Permissible max. speed	4 000 min <sup>-1</sup>	Isolation	500 Veff
Continuous max. speed	3 000 min <sup>-1</sup>	Operating temperature	- 40... + 85 °C (T° encoder)
		Storage temperature	- 40... + 85 °C

## MAGNETIC ANALOG SINGLE-TURN ENCODERS, AXM5S – STAINLESS STEEL 316 - IP69K

### ELECTRICAL DATA

Power supply	5V or 10–30Vdc or 15–30Vdc	Introduction	< 1 s
Consumption without load	< 40mA (at 24Vdc)	Response time	< 10 ms (5L2 & 3L1 electronic)
Resolution	12 bits		< 1ms (other electronics)
Accuracy	± 0.3 %	Advised load	>10kOhms (Voltage output)
Repeatability	± 0.1 %		500Ohms (current output)

### OUTPUT STAGE



### CONNECTION

Type	Cable	+Vcc	0V	Analog output	Ground
L3	3 wire cable PVC 8230/022	Brown BN	White WH	Green GN	General shielding

\* Nota : pinout number 4 is not connected.

### ORDERING REFERENCE (Contact the factory for special versions, ex : stainless steel version, connections...)

Range	Shaft Ø	Mechanics	Available Electronics	Signals	Resolution	Cable	Orientation
<b>AXM5S</b> Magnetic – stainless steel 58mm encoder	<b>10</b> 10mm	<b>AA</b> 316 stainless steel IP69K Hygienic design	<b>3L1</b> : 15 to 30Vdc 0..10V output <b>5L2</b> : 10 to 30Vdc 0.5..4.5V output <b>3L3</b> : 15 to 30Vdc 4..20mA output <b>3L4</b> : 15 to 30Vdc 0..20mA output <b>2LR</b> : 5V +/- 5% Ratio 10...90% voltage supply	<b>1</b> CW Clockwise  <b>2</b> CCW Counter-clockwise	<b>00360</b> Analog output calibrated on 360°  Other : Consult us	<b>L3</b> 3 wires cable PVC	Example: <b>A020</b> axial cable 2m
Ex:AXM5S	10 /	AA /	3 L1	1 //	00360 //	L3	A050

Made in France