

CD050 analog output – Measurement range 0 up to 1250 mm

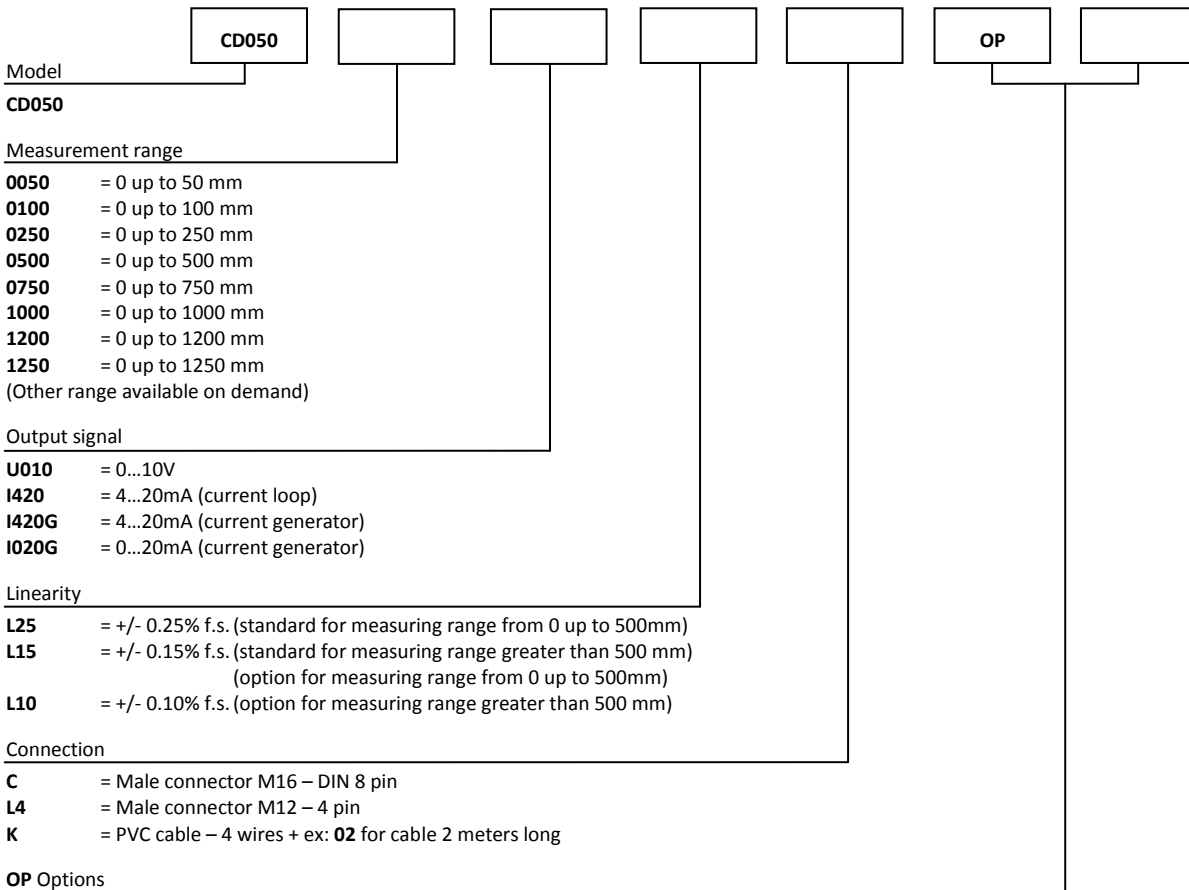
Specifications:

Measurement range	0 up to 1250 mm
Output signal	0...10V (galvanic isolation) 4...20mA current loop 4...20mA current generator (galvanic isolation) 0...20mA current generator (galvanic isolation)
Resolution	Quasi infinite (depends on the operating system)
Material	Body and cover - aluminium (RoHS) Measuring cable – Stainless steel
Cable diameter	0,51 mm
Detection element	Multi-turn Hybrid potentiometer
Connection	Male connector M16 – DIN 8 pin Male connector M12 – 4 pin PVC cable – 4 wires
Standard linearity	+/- 0,25% f.s. – stroke ≤500mm +/- 0,15% f.s. – stroke >500mm +/- 0,10% f.s. – stroke >500mm (option)
Protection class	IP54 (option IP67)
Max. Velocity	10 M/S
Max. Acceleration	40 M/S ² (before cable deformation)
Weight	≈ 700 g
Operating temperature	-20° to +80°C
Storage temperature	-30° to +80°C

Cable forces:

Measurement range in mm	Min. pull-out force	Max. pull-out force
50	≈ 6,40 N	≈ 6,50 N
100	≈ 6,30 N	≈ 6,50 N
250	≈ 6,00 N	≈ 6,50 N
500	≈ 5,50 N	≈ 6,50 N
750	≈ 5,00 N	≈ 6,50 N
1000	≈ 4,50 N	≈ 6,50 N
1200	≈ 4,00 N	≈ 6,50 N
1250	≈ 4,00 N	≈ 6,50 N

Ordering reference:

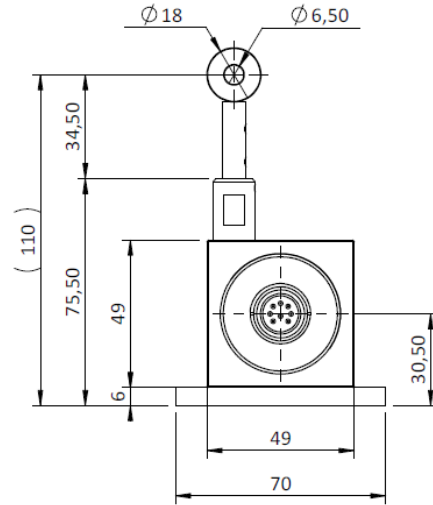
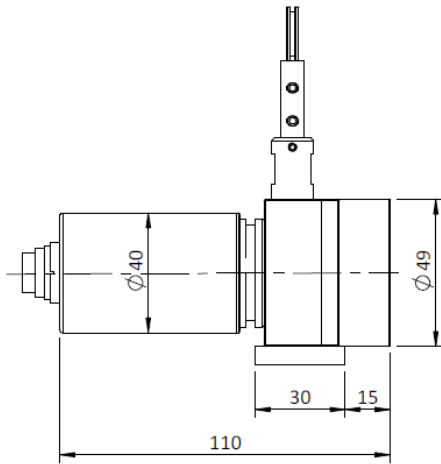


Reference example: CD050-0750-U010-L15-K02-OP-AC-EM

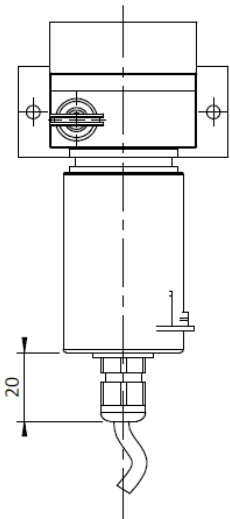
Made in France

CD050 analog output – Measurement range 0 up to 1250 mm

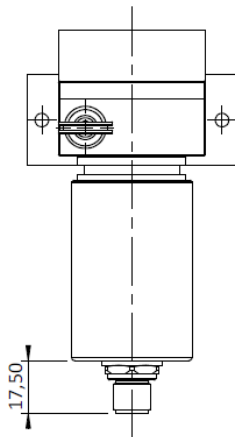
Dimensions:



K Connection
(PVC cable - 4 wires)



L4 connection
(connector M12 - 4 pin)



C connection
(Connector M16 - DIN 8 pin)

