

CD050 incremental output – Measurement range 0 up to 1250 mm

Specifications:

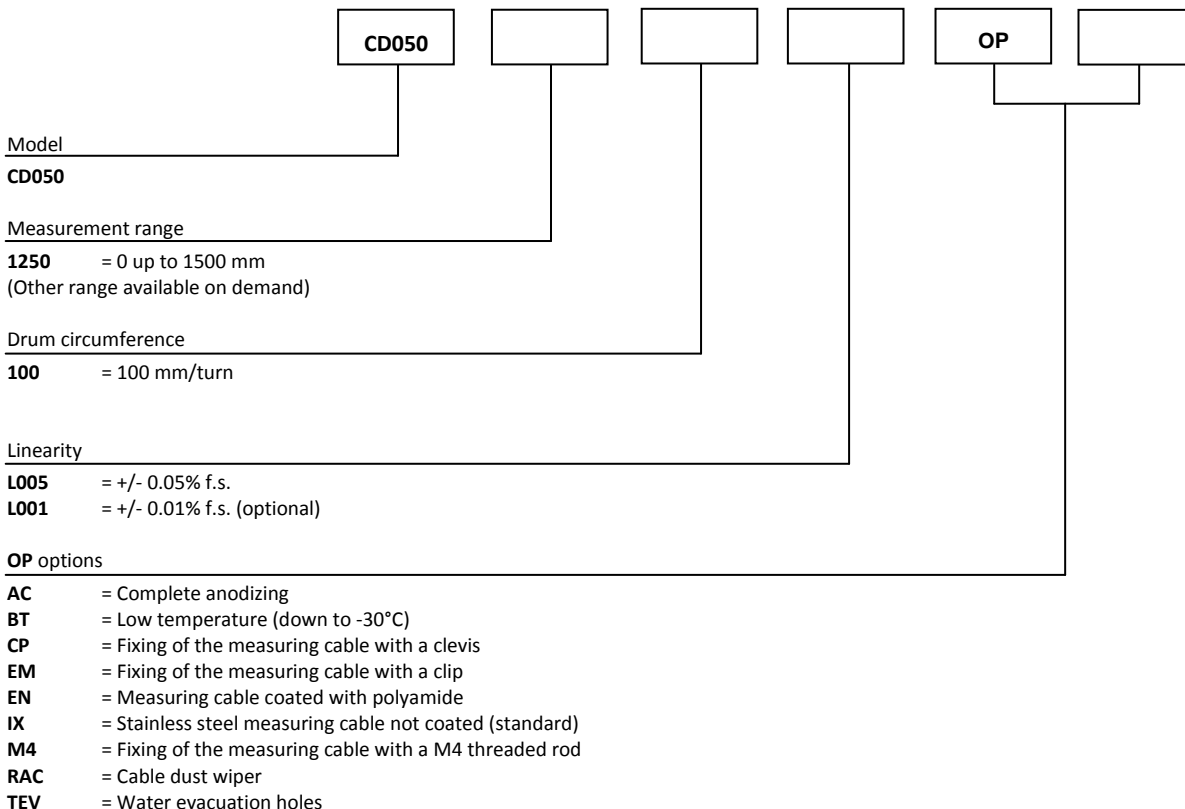
Measurement range	0 up to 1250 mm
Sensing device	Incremental encoder – cf incremental encoder datasheet
Material	Body and cover - aluminium (RohS) Measuring cable – Stainless steel
Cable diameter	0,51 mm
Standard linearity	+/- 0,15% f.s. +/- 0,10% f.s. (optional)
Protection class	IP54
Max. Velocity	10 M/S
Max. Acceleration	40 M/S² (before cable deformation)
Weight	≈ 700 g
Operating temperature	-20° to +80°C
Storage temperature	-30° to +80°C



Cable forces:

Measurement range in mm	Min. pull-out force	Max. pull-out force
1250	≈ 4,00 N	≈ 6,50 N

Ordering reference:



Reference example with an encoder (cf GHM4 datasheet):

CD050-1200-100-L005 + GHM4_L6//5G59//01000//GDR//

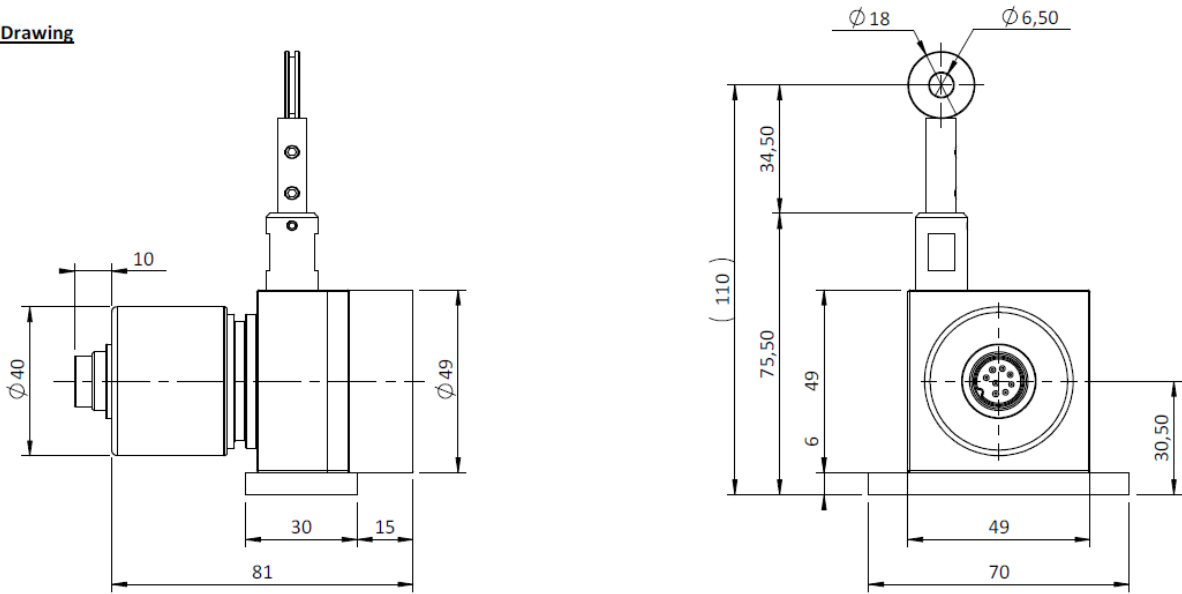
Nota:

- encoder selected must be with L6 shaft,
- The resolution of the system depends of the encoder pulses number, example: with a 100mm drum perimeter and an 1000ppr encoder, 1 encoder pulse will be emitted each 0,1mm.

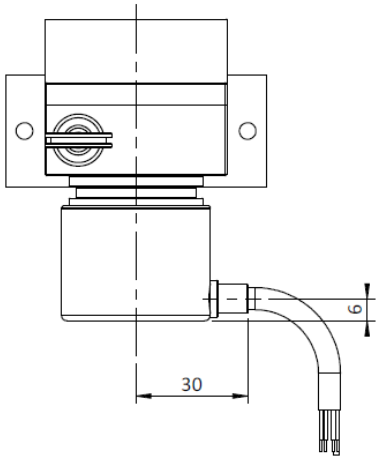
Made in France

CD050 incremental output – Measurement range 0 up to 1250 mm

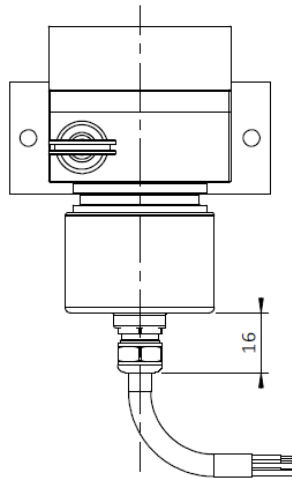
Dimensional Drawing



G3R connection
(PVC cable - 8 wires - radial)



G3A connection
(PVC cable - 8 wires - axial)



GDA/G2A connection
(Connector M16 - DIN 5 or 8 pin)

