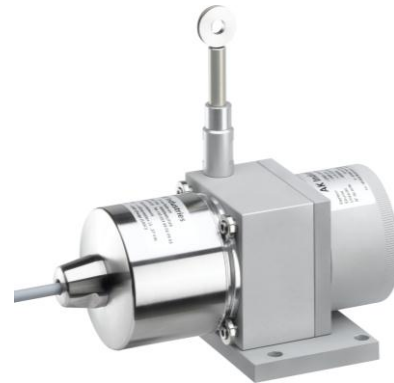


CD060 absolute output – Measurement range 0 up to 1500 mm

Specifications:

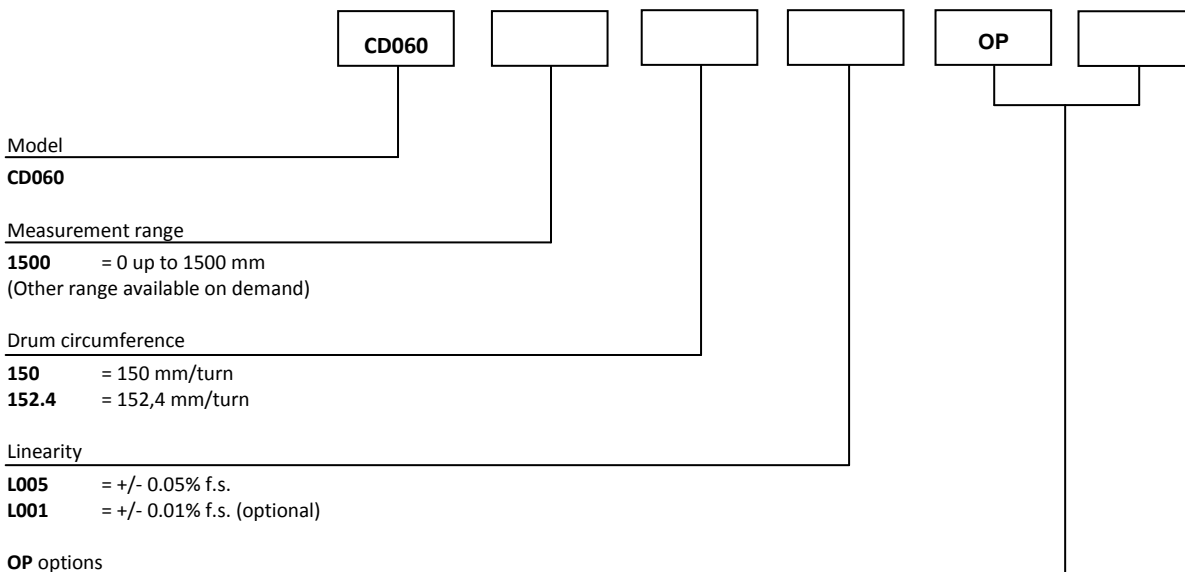
Measurement range	0 up to 1500 mm
Sensing device	Absolute encoder – cf absolute encoder datasheet
Material	Body and cover - aluminium (RoHS)
	Measuring cable – Stainless steel
Cable diameter	0,60 mm
Standard linearity	+/- 0,05% f.s.
	+/- 0,01% f.s. (optional)
Protection class	IP64
Max. Velocity	10 M/S
Max. Acceleration	20 M/S² (before cable deformation)
Weight	≈ 1000 g
Operating temperature	-20° to +85°C
Storage temperature	-40° to +85°C



Cable forces:

Measurement range in mm	Min. pull-out force	Max. pull-out force
1500	≈ 9,00 N	≈ 12,00 N

Ordering reference:



- AC** = Complete anodizing
- BR** = Cleaning brush for the cable
- CO** = Fixing of the measuring cable with a lug
- CP** = Fixing of the measuring cable with a clevis
- EM** = Fixing of the measuring cable with a clip
- EN** = Measuring cable coated with polyamide
- M4** = Fixing of the measuring cable with a M4 threaded rod
- TEV** = Water evacuation holes

Reference example with an encoder (cf ex. PHM5 / MHM5 / THM4S10 datasheet):

CD060-1500-150-L005 + PHM5_10//PSSG//13B12D5//S6R//**03**

Nota:

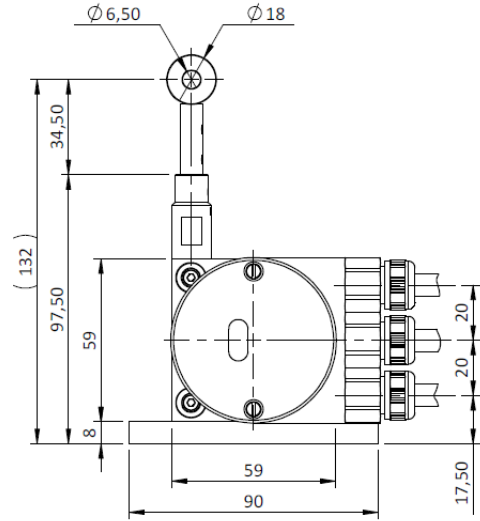
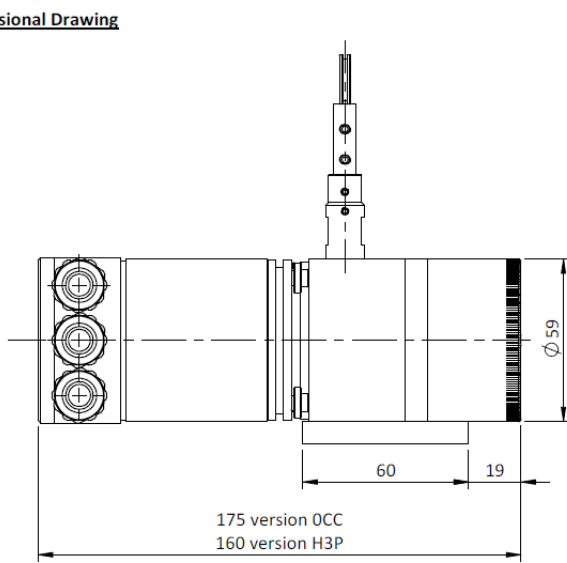
- encoder selected must be with 10mm shaft,
- **03** means that the encoder is equipped with a servo flange in order to be mount on the CD060,
- The resolution of the system depends of the encoder pulses number, example: with a 150mm drum perimeter and a 8192ppr encoder, 1 encoder pulse will be emitted each 0,0183mm (150/8192).

Made in France

CD060 absolute output – Measurement range 0 up to 1500 mm

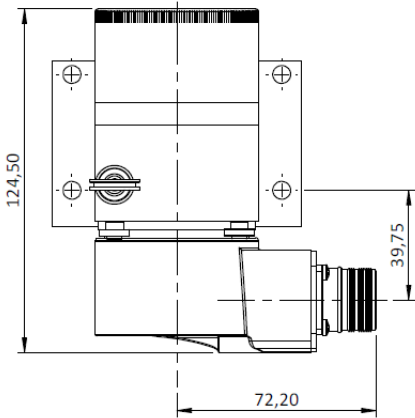


Dimensional Drawing



With MHM5 - PROF/CANO/DNET encoder
OCC or H3P connection
(Terminal box)

With PHM5 - SSI encoder
S6R or S8R connection
(Male connector M23 - 12 pin CW or CCW)



With MHM5 - SSI encoder
PRL connection
(Male connector M23 - 12 pin CCW)

