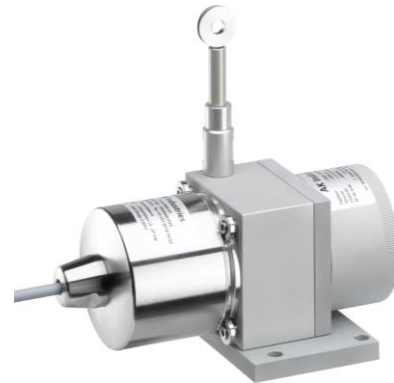


CD060 incremental output – Measurement range 0 up to 1500 mm

Specifications:

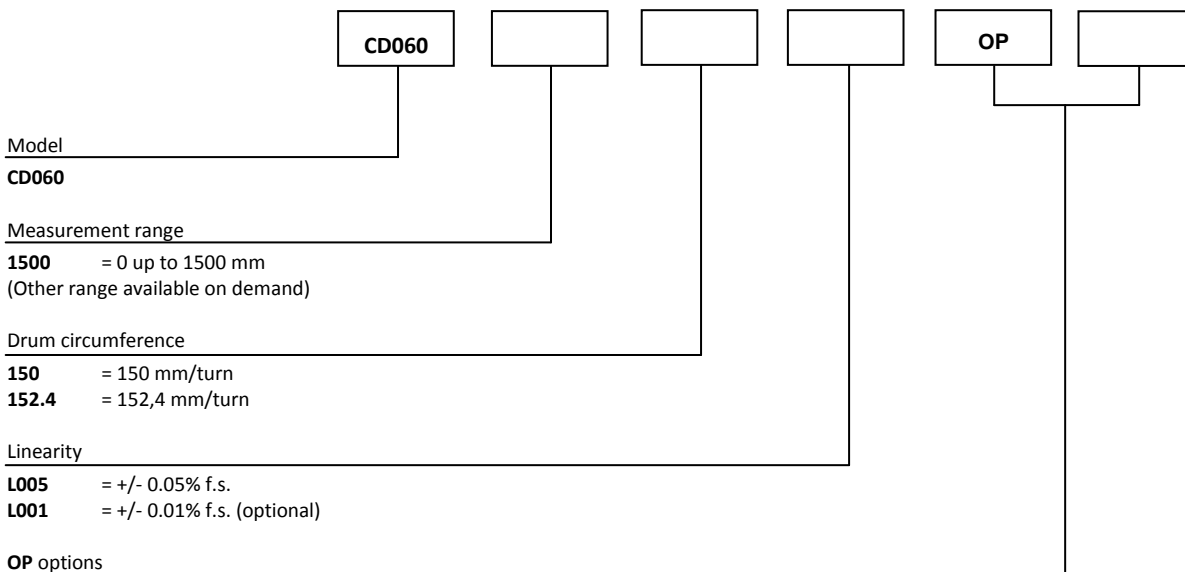
Measurement range	0 up to 1500 mm
Sensing device	Incremental encoder – cf incremental encoder datasheet
Material	Body and cover - aluminium (RoHS)
	Measuring cable – Stainless steel
Cable diameter	0,60 mm
Standard linearity	+/- 0,05% f.s.
	+/- 0,01% f.s. (optional)
Protection class	IP64
Max. Velocity	10 M/S
Max. Acceleration	20 M/S² (before cable deformation)
Weight	≈ 1000 g
Operating temperature	-20° to +85°C
Storage temperature	-40° to +85°C



Cable forces:

Measurement range in mm	Min. pull-out force	Max. pull-out force
1500	≈ 9,00 N	≈ 12,00 N

Ordering reference:



OP options

AC	= Complete anodizing
BR	= Cleaning brush for the cable
CO	= Fixing of the measuring cable with a lug
CP	= Fixing of the measuring cable with a clevis
EM	= Fixing of the measuring cable with a clip
EN	= Measuring cable coated with polyamide
M4	= Fixing of the measuring cable with a M4 threaded rod
TEV	= Water evacuation holes

Reference example with an encoder (cf DHM5 / GHM5 datasheet):

CD060-1500-150-L005 + DHM5_10//PG59//01500//G6R//**03**
 CD060-1500-152.4-L001-OP-PV + GHM5_10//5GT9//00762//G2R//**03**

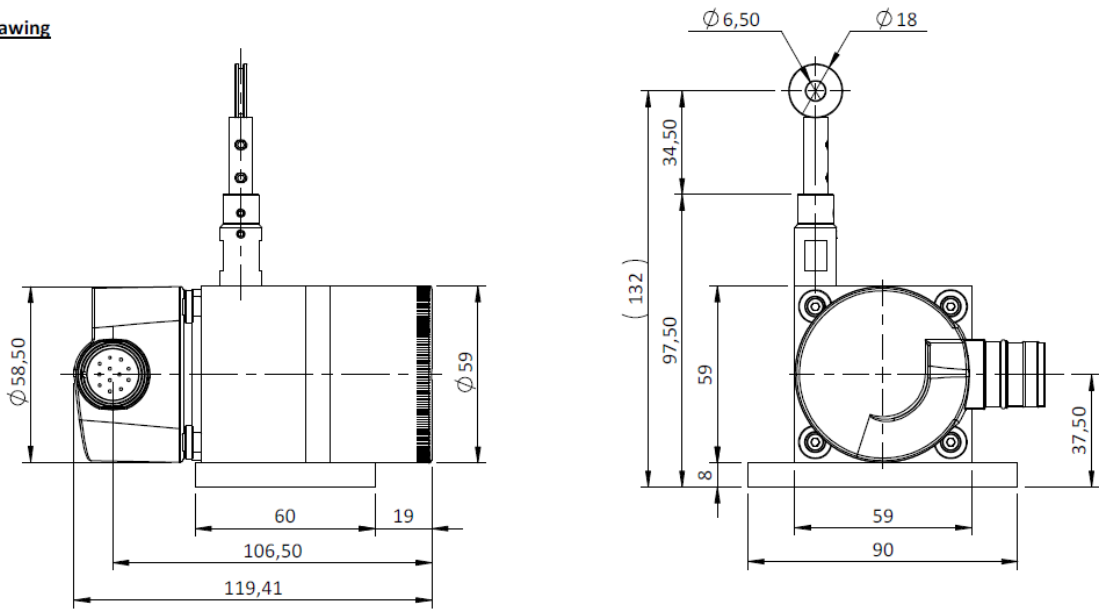
Nota:

- encoder selected must be with 10mm shaft,
- **03** means that the encoder is equipped with a servo flange in order to be mount on the CD060,
- The resolution of the system depends of the encoder pulses number, example: with a 150mm drum perimeter and an 1500ppr encoder, 1 encoder pulse will be emitted each 0,1mm.

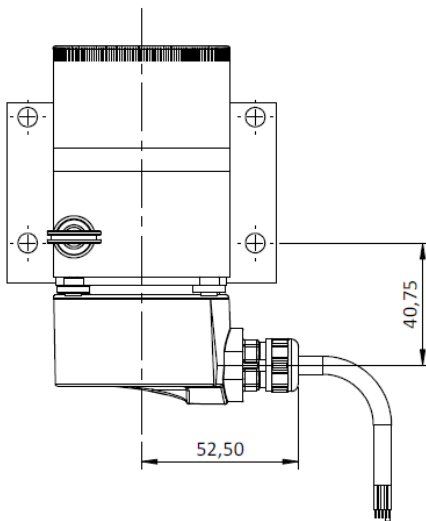
Made in France

CD060 incremental output – Measurement range 0 up to 1500 mm

Dimensional Drawing



With DHM5 encoder
GPR or G3R connection
(PUR cable - 12 wires or PVC cable - 8 wires)



With DHM5 encoder
G6R or G8R connection
(Male connector M23 - 12 pin CW or CCW)

