

## CD150 analog output – Measurement range 0 up to 6000 mm

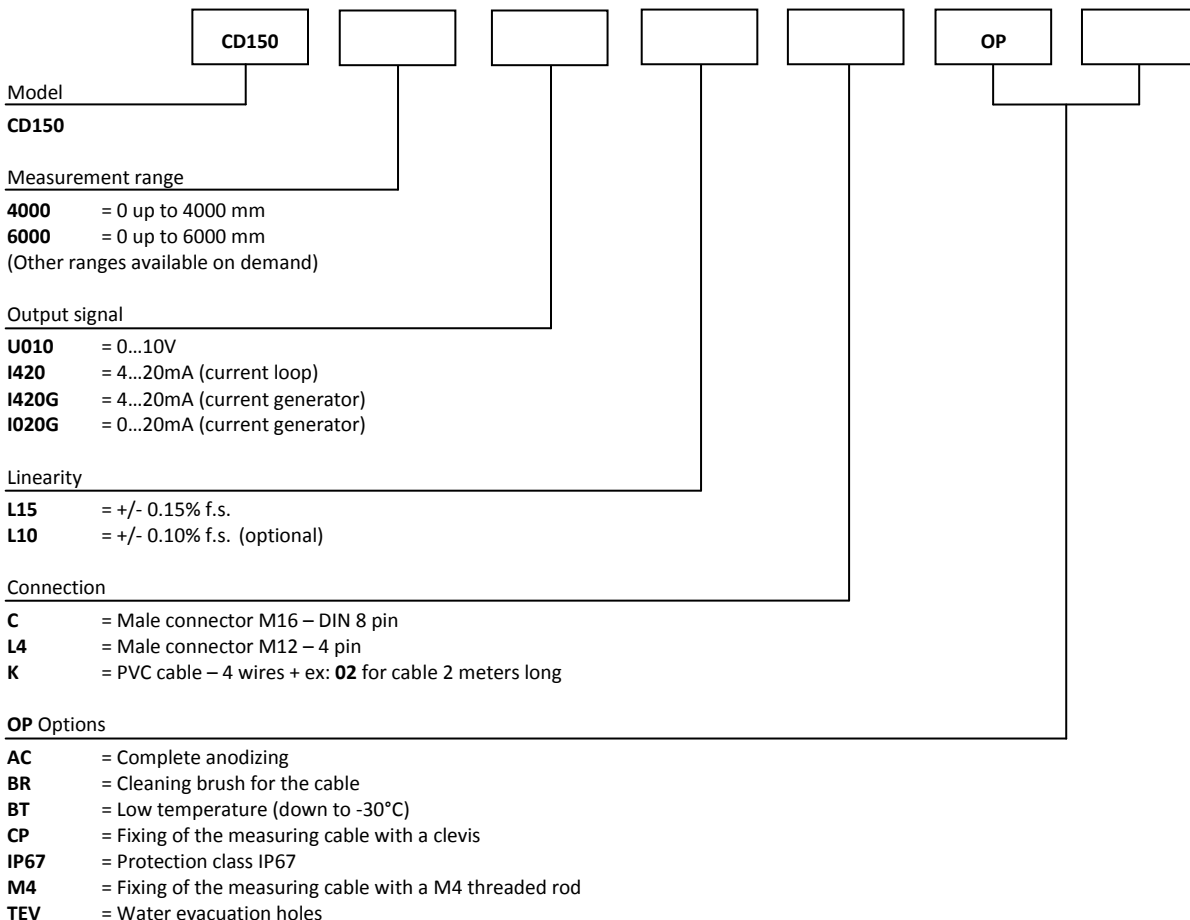
### Specifications:

<b>Measurement range</b>	<b>0 up to 6000 mm</b>
<b>Output signal</b>	<b>0...10V (galvanic isolation)</b> <b>4...20mA current loop</b> <b>4...20mA current generator (galvanic isolation)</b> <b>0...20mA current generator (galvanic isolation)</b>
<b>Resolution</b>	<b>Quasi infinite (depends on the operating system)</b>
<b>Material</b>	<b>Body and cover - aluminium (RohS)</b> <b>Measuring cable – Stainless steel</b>
<b>Cable diameter</b>	<b>0,60 mm</b>
<b>Detection element</b>	<b>Precision potentiometer</b>
<b>Connection</b>	<b>Male connector M16 – DIN 8 pin</b> <b>Male connector M12 – 4 pin</b> <b>PVC cable – 4 wires</b>
<b>Standard linearity</b>	<b>+/- 0,15% f.s.</b> <b>+/- 0,10% f.s. (optional)</b>
<b>Protection class</b>	<b>IP54 (option IP67)</b>
<b>Max. Velocity</b>	<b>10 m/s</b>
<b>Max. Acceleration</b>	<b>5 m/s<sup>2</sup> (before cable deformation)</b>
<b>Weight</b>	<b>≈ 3000 g</b>
<b>Operating temperature</b>	<b>-20° to +80°C</b>
<b>Storage temperature</b>	<b>-30° to +80°C</b>

### Cable forces:

Measurement range in mm	Min. pull-out force	Max. pull-out force
4000	≈ 11,00 N	≈ 13,50 N
6000	≈ 10,00 N	≈ 13,50 N

### Ordering reference:



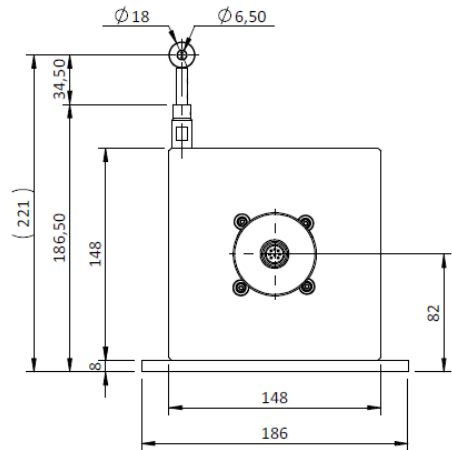
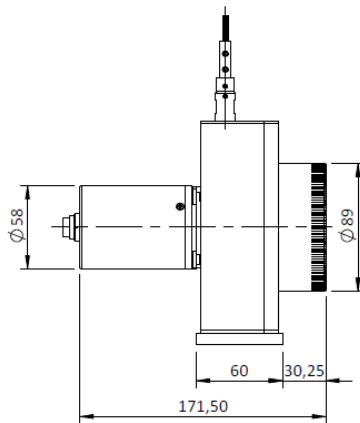
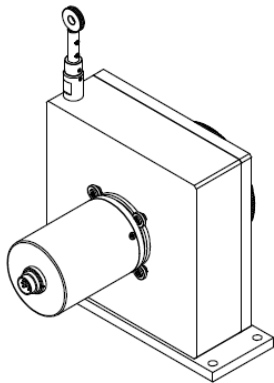
Reference example: CD150-4000-U010-L15-K02-OP-AC-M4

Made in France

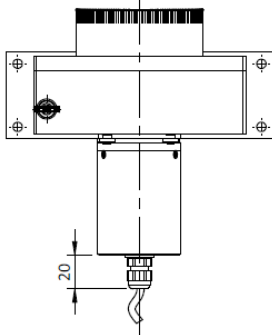
## CD150 analog output – Measurement range 0 up to 6000 mm

### Dimensional Drawing

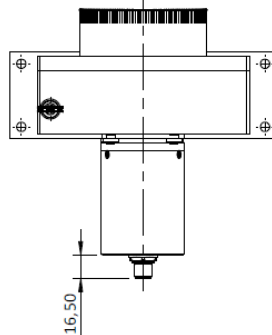
Measurement range up to 4000 mm



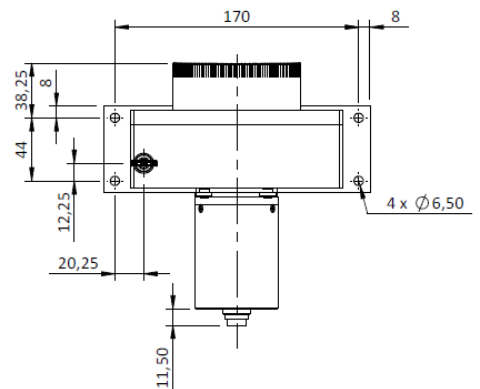
K connection  
(PVC cable - 4 wires)



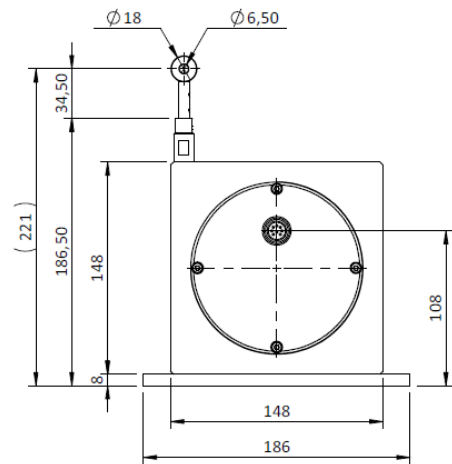
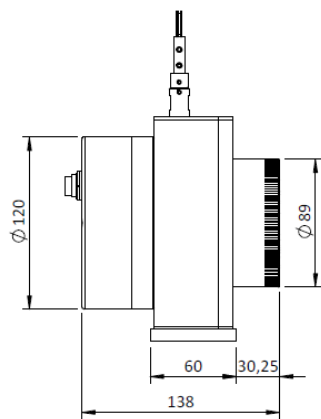
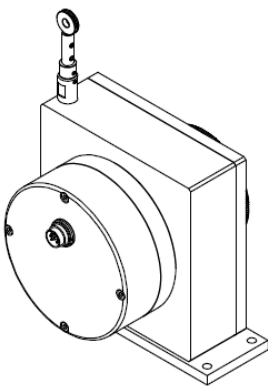
L4 connection  
(connector M12 - 4 pin)



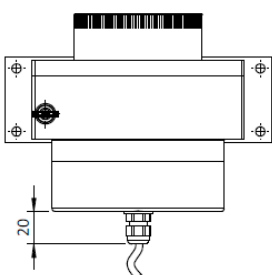
C connection  
(Connector M16 - DIN 8 pin)



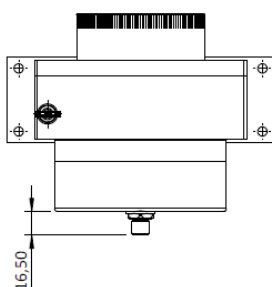
Measuring range greater than 4000 mm up to 6000 mm



K connection  
(PVC cable - 4 wires)



L4 connection  
(connector M12 - 4 pin)



C connection  
(Connector M16 - DIN 8 pin)

