

CD150 potentiometric output – Measurement range 0 up to 6000 mm

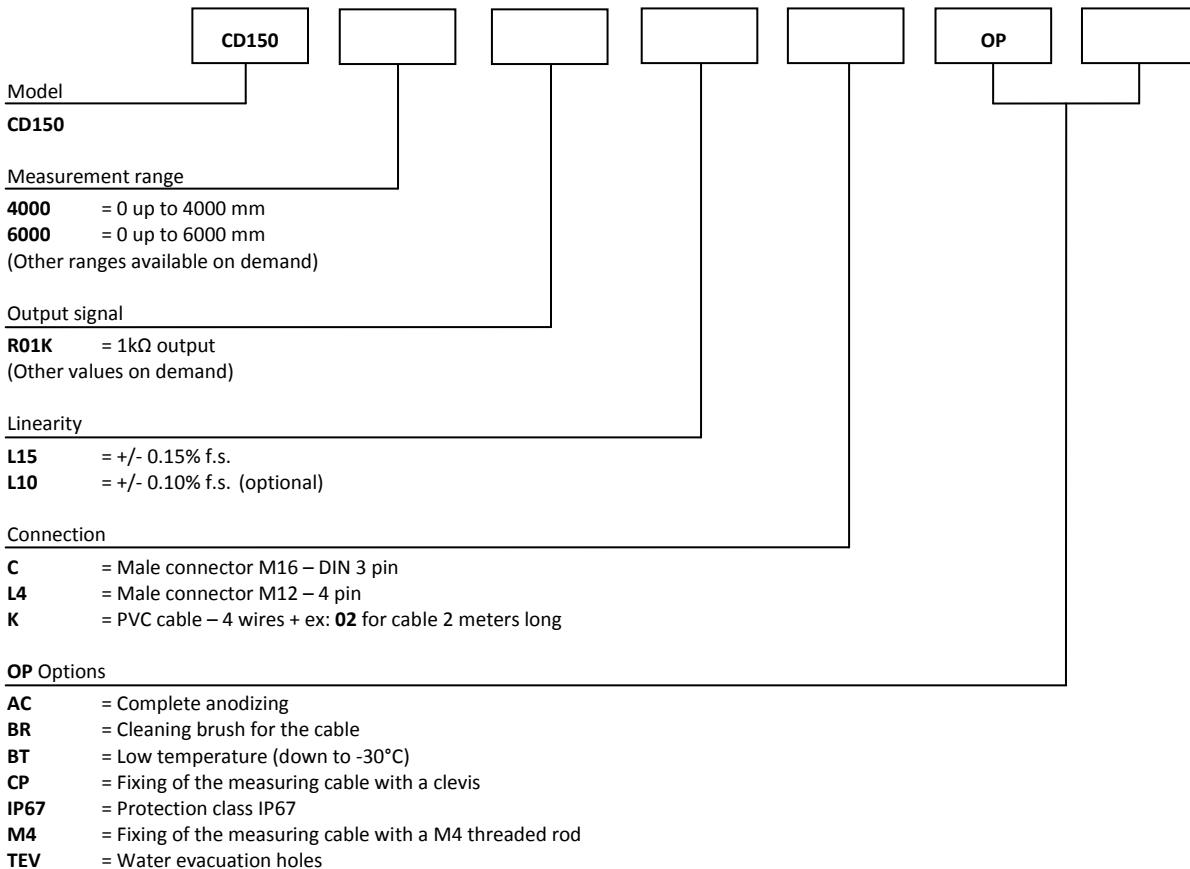
Specifications:

Measurement range	0 up to 6000 mm
Output signal	1kΩ (other values on demand)
Resolution	Quasi infinite (depends on the operating system)
Material	Body and cover - Aluminium (RoHS) Measuring cable – Stainless steel
Cable diameter	0,60 mm
Detection element	Precision potentiometer
Connection	Male connector M16 – DIN 3 pin Male connector M12 – 4 pin PVC cable – 4 wires
Standard linearity	+/- 0,15% f.s. +/- 0,10% f.s. (optional)
Protection class	IP54 (option IP67)
Max. Velocity	10 m/s
Max. Acceleration	5 m/s² (before cable deformation)
Weight	≈ 3000 g
Operating temperature	-20° to +80°C
Storage temperature	-30° to +80°C

Cable forces:

Measurement range in mm	Min. pull-out force	Max. pull-out force
4000	≈ 11,00 N	≈ 13,50 N
6000	≈ 10,00 N	≈ 13,50 N

Ordering reference:



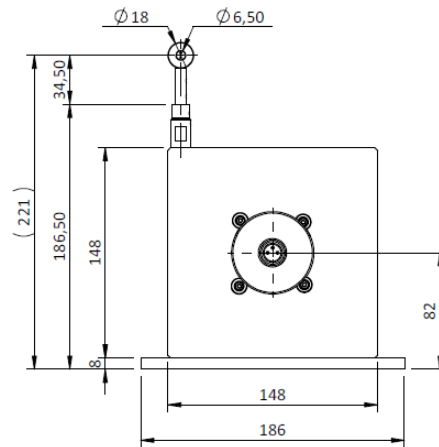
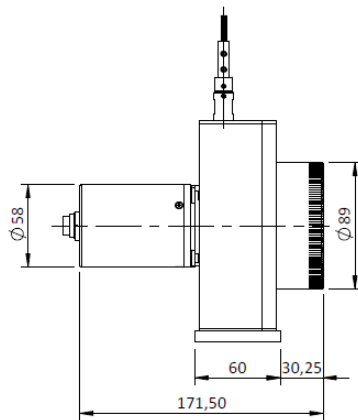
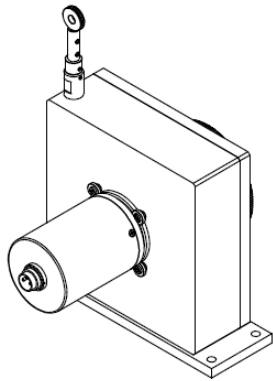
Reference example: CD150-4000-R01K-L15-K02-OP-AC-M4

Made in France

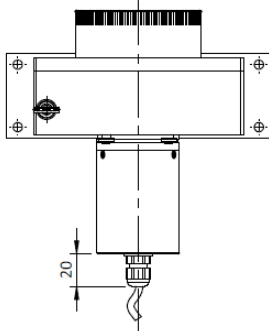
CD150 potentiometric output – Measurement range 0 up to 6000 mm

Dimensional Drawing

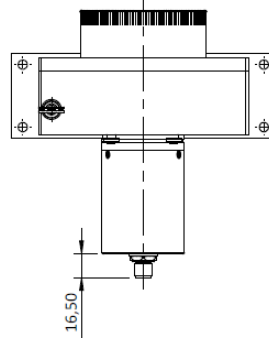
Measurement range up to 4000 mm



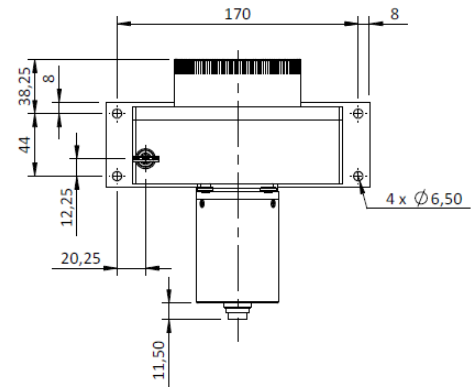
K connection
(PVC cable - 4 wires)



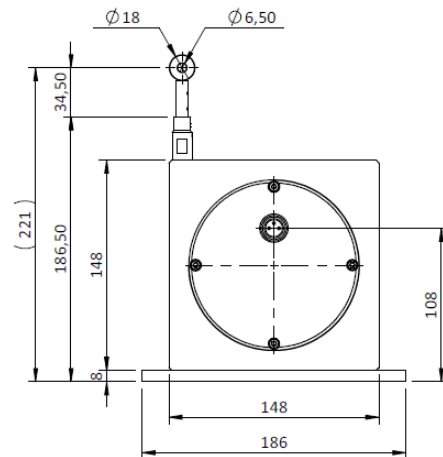
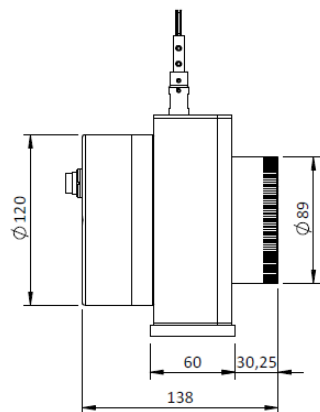
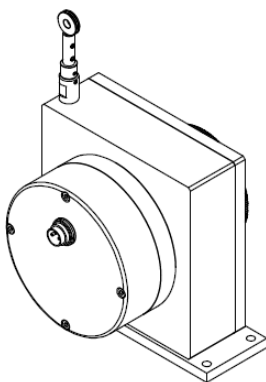
L4 connection
(connector M12 - 4 pin)



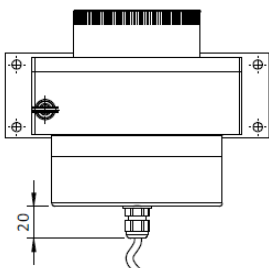
C connection
(Connector M16 - DIN 3 pin)



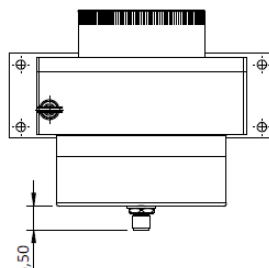
Measuring range greater than 4000 mm up to 6000 mm



K connection
(PVC cable - 4 wires)



L4 connection
(connector M12 - 4 pin)



C connection
(Connector M16 - DIN 3 pin)

