

CDS18-20000 analog output – Measurement range 0 up to 20 000 mm

Specifications:

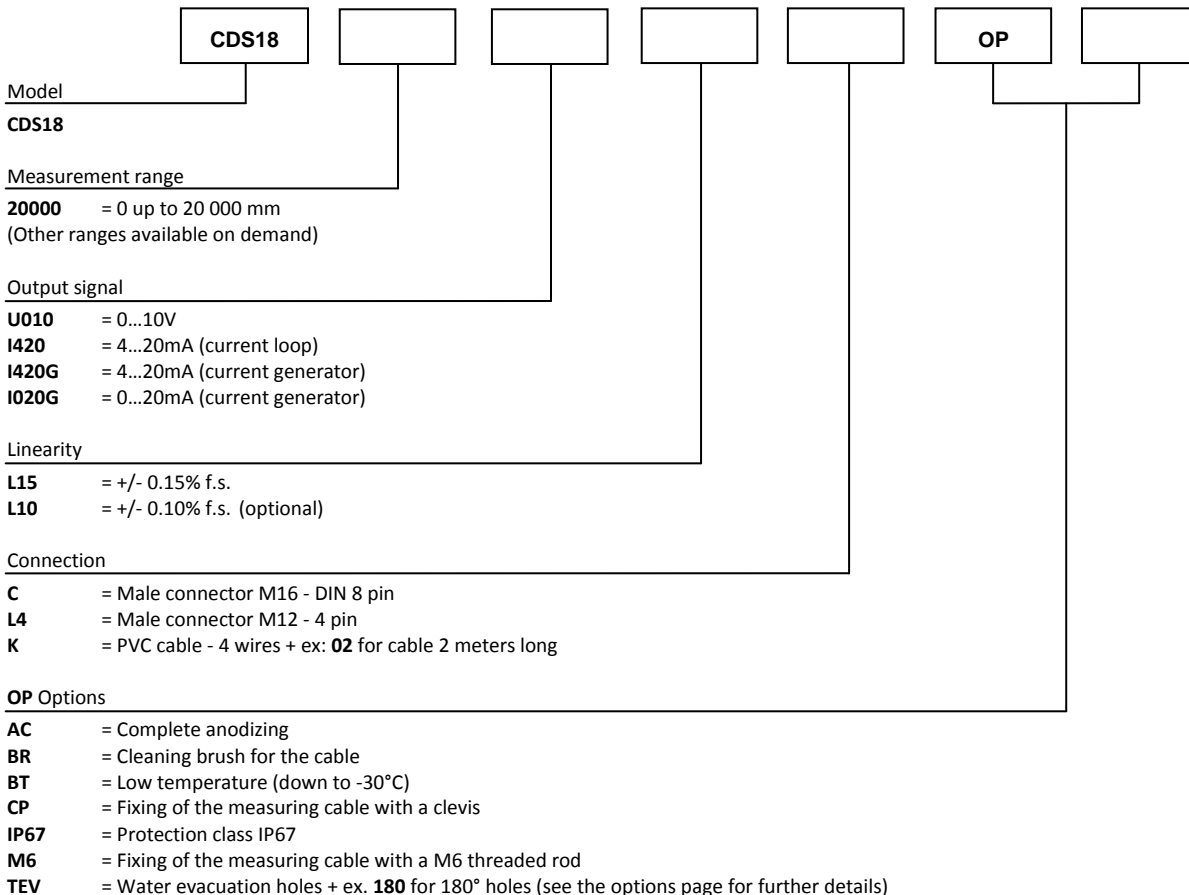
Measurement range	0 up to 20 000 mm
Output signal	0...10V (galvanic isolation) 4...20mA current loop 4...20mA current generator (galvanic isolation) 0...20mA current generator (galvanic isolation)
Resolution	Quasi infinite (depends on the operating system)
Material	Body and cover - aluminium (RohS) Measuring cable - Stainless steel
Cable diameter	0,90 mm
Detection element	Precision potentiometer
Connection	Male connector M16 - DIN 8 pin Male connector M12 - 4 pin PVC cable - 4 wires
Standard linearity	+/- 0,15% f.s. +/- 0,10% f.s. (optional)
Protection class	IP65
Max. Velocity	10 m/s
Max. Acceleration	2 m/s² (before cable deformation)
Weight	≈ 12 kg
Operating temperature	-20° to +80°C
Storage temperature	-30° to +80°C



Cable forces:

Measurement range in mm	Min. pull-out force	Max. pull-out force
20 000	≈ 15,00 N	≈ 30,00 N

Ordering reference:



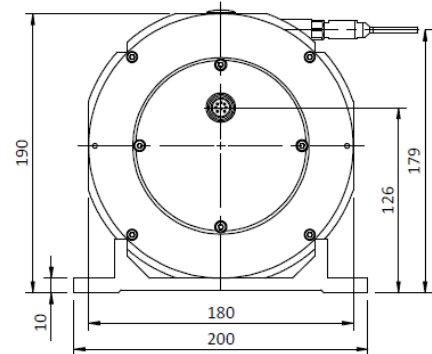
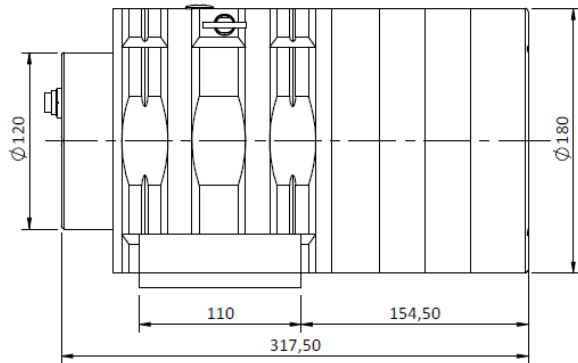
Reference example: CDS18-20000-U010-L15-K02-OP-AC-M6

Made in France

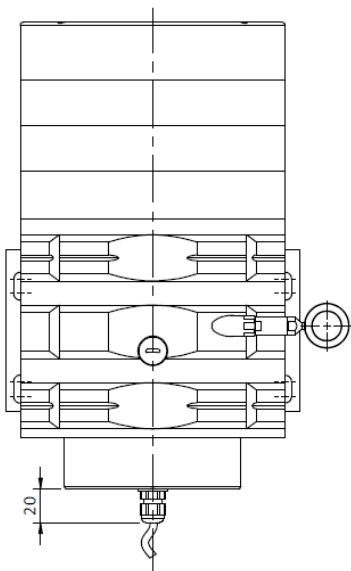
CDS18-20000 analog output – Measurement range 0 up to 20 000 mm



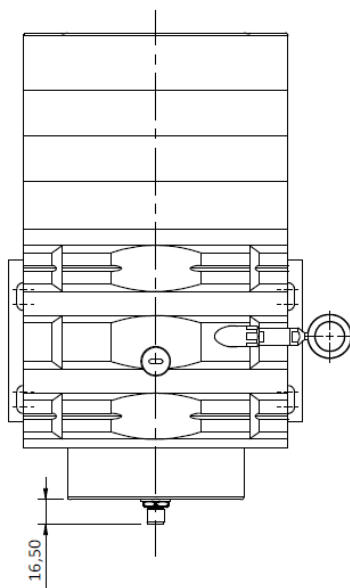
Dimensions:



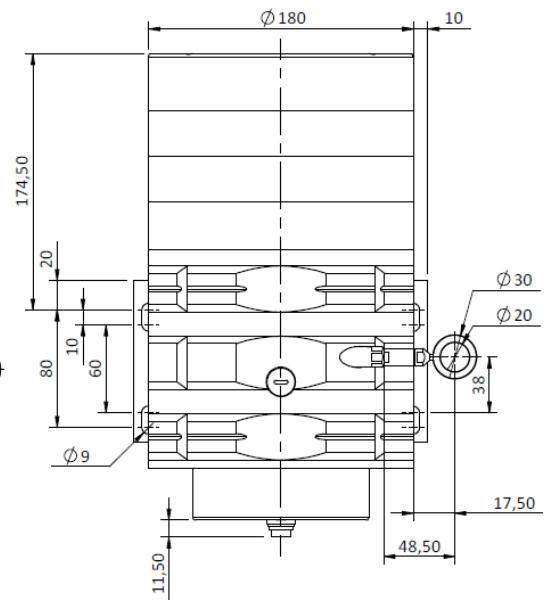
K connection
(PVC cable - 4 wires)



L4 connection
(connector M12 - 4 pin)



C connection
(Connector M16 - DIN 3 pin)



Modular base plate

