

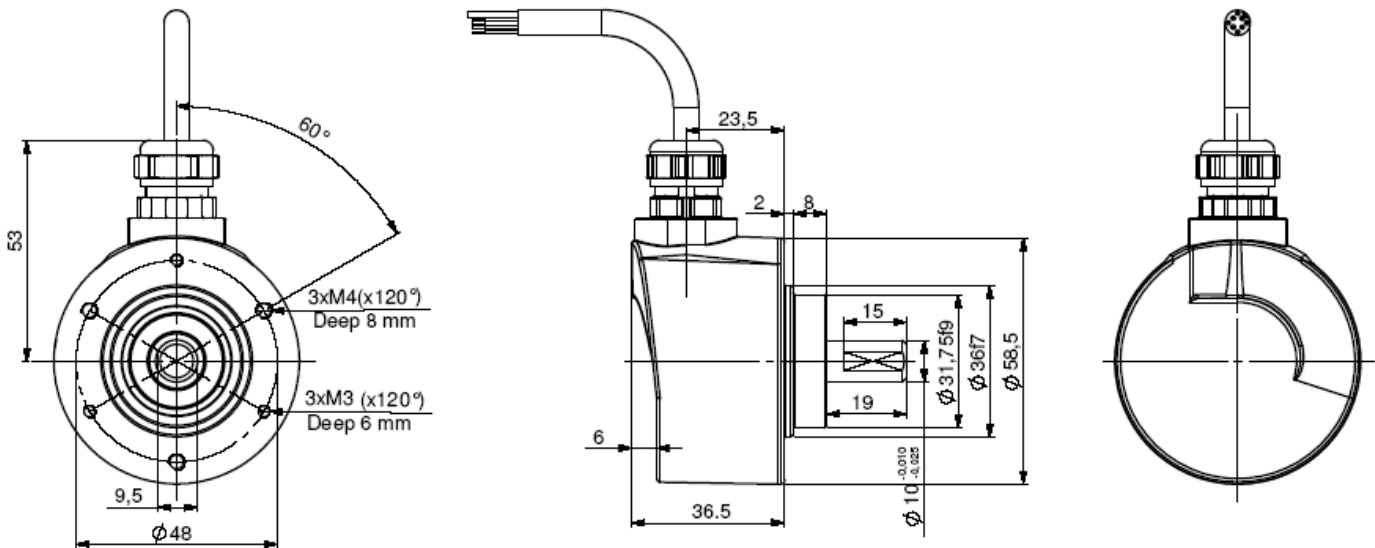
## ABSOLUTE SINGLE TURN ENCODER - CAM OUTPUTS

CHM5, absolute single turn encoders with cam outputs:

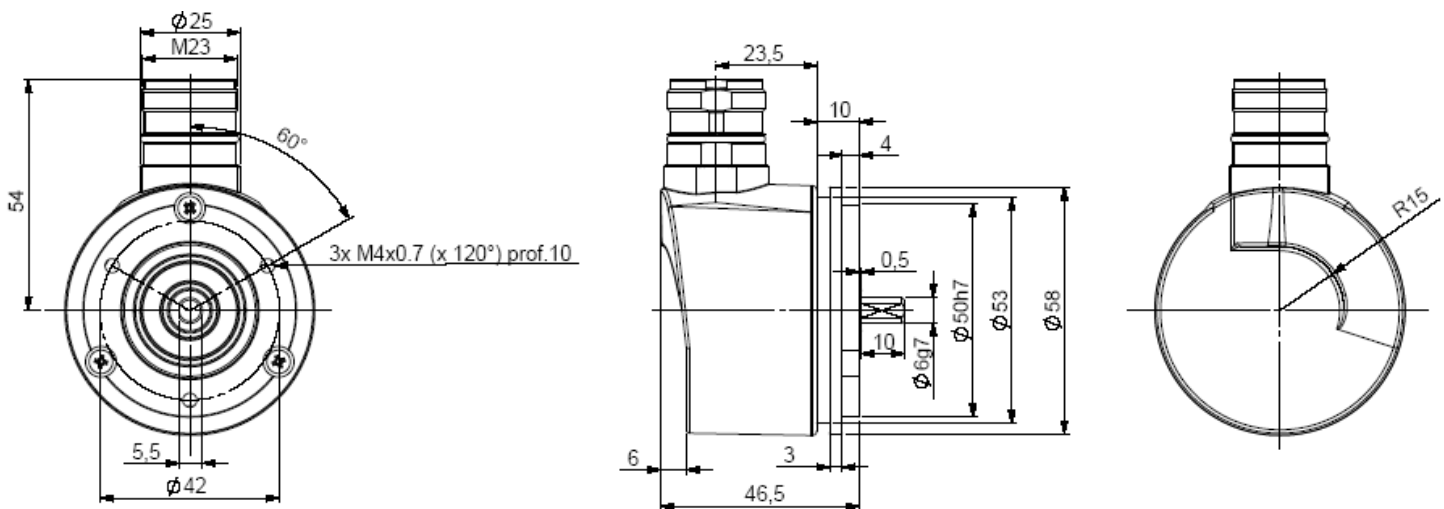
- Robustness and excellent resistance to shocks / vibrations,
- High protection level IP65, IP67 option with a sealing flange,
- Universal electronic circuits from 5 to 30 Vdc,
- Push-pull output,
- Max. 13 cams outputs,
- High performances in temperature  $-20^{\circ}\text{C}$  to  $70^{\circ}\text{C}$ ,



### CHM5\_10 radial cable



### CHM5\_06 radial M23 - flange 9500/003\* mounted on the body



\*Accessory to be ordered separately

## ABSOLUTE SINGLE TURN ENCODER - CAM OUTPUTS

### MECHANICAL CHARACTERISTICS

Material	Cover : zinc alloy
	Body: aluminium 5083
	Shaft : stainless steel
Bearings	6 000 serie
Maximal loads	Axial : 50 N
	Radial : 100 N
Shaft inertia	$\leq 1.10^{-6}$ kg.m <sup>2</sup>
Torque	$\leq 4.10^{-3}$ N.m

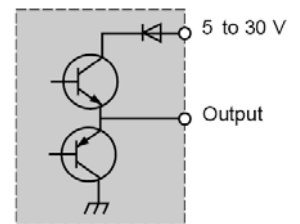
Permissible max. speed	12 000 min <sup>-1</sup>
Continuous max. speed	9 000 min <sup>-1</sup>
Shocks (EN60068-2-27)	$\leq 500$ m.s <sup>-2</sup> (during 6 ms)
Vibrations (EN60068-2-6)	$\leq 100$ m.s <sup>-2</sup> (10 ... 2 000 Hz)
Encoder weight (approx.)	0,450 kg
Operating temperature	- 20 ... + 70 °C (encoder T°)
Storage temperature	- 40 ... + 70 °C
Protection(EN 60529)	IP 65

### CONNECTION

Pin	color	Functions
1	white WH	0V
2	brown BN	+Vcc
3	green GN	C0
4	yellow YE	C1
5	grey GY	C2
6	pink PK	C3
7	blue BU	C4
8	red RD	C5
9	black BK	C6
10	violet VT	C7
11	white/brown WH/BN	C8
12	white/green WH/GN	C9
13	white/yellow WH/YE	C10
14	white/grey WH/GY	C11
15	white/pink WH/PK	C12
16	white/blue WH/BU	NC

### ELECTRONIC

Supply: 5 to 30 V c  
Max. ripple: 500 mV  
Protection against reverse polarity  
Max. no-load consumption: 100 mA  
Max. current: 20 mA  
Level "0" max.: 0.5 V  
Level "1" min.: V supply - 2.5 V  
Protection against short-circuits  
NPN/PNP compatible

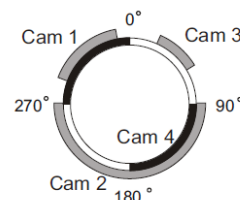


### OUTPUT SIGNALS

Programming of the cams will be done in our factory in function of needed characteristics.

**Example:**

Cams	Switchpoints	
	On	Off
C0	290° on	350° off
C1	90° on	270° off
C2	30° on	60° off
C3	90° on	180° off
C4	270° on	0° off



Made in FRANCE