

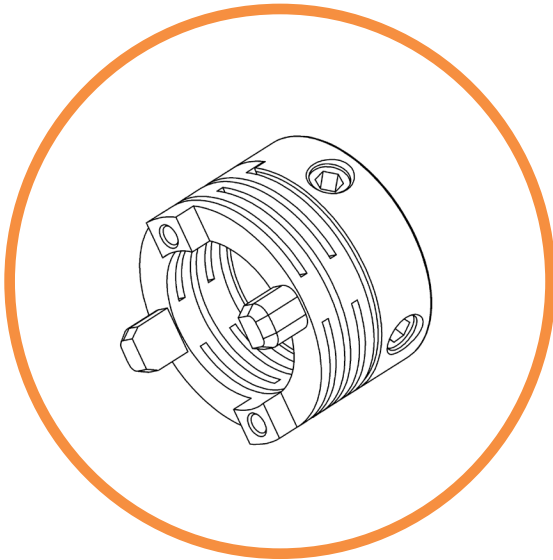


INTEGRATED COUPLING

M9410/009-14, M9410/009-20, M9410/009-4E, M9410/009-6E

Introduction

Compact reducing sleeve used with LP series hollow shaft style encoder. It is specified within the model number as C20P, C6EP, C4EP, etc. When ordered separately, use the P/N as listed below.



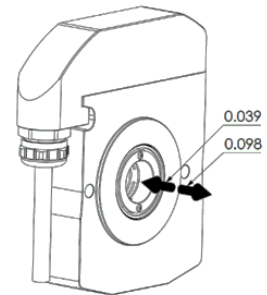
Model

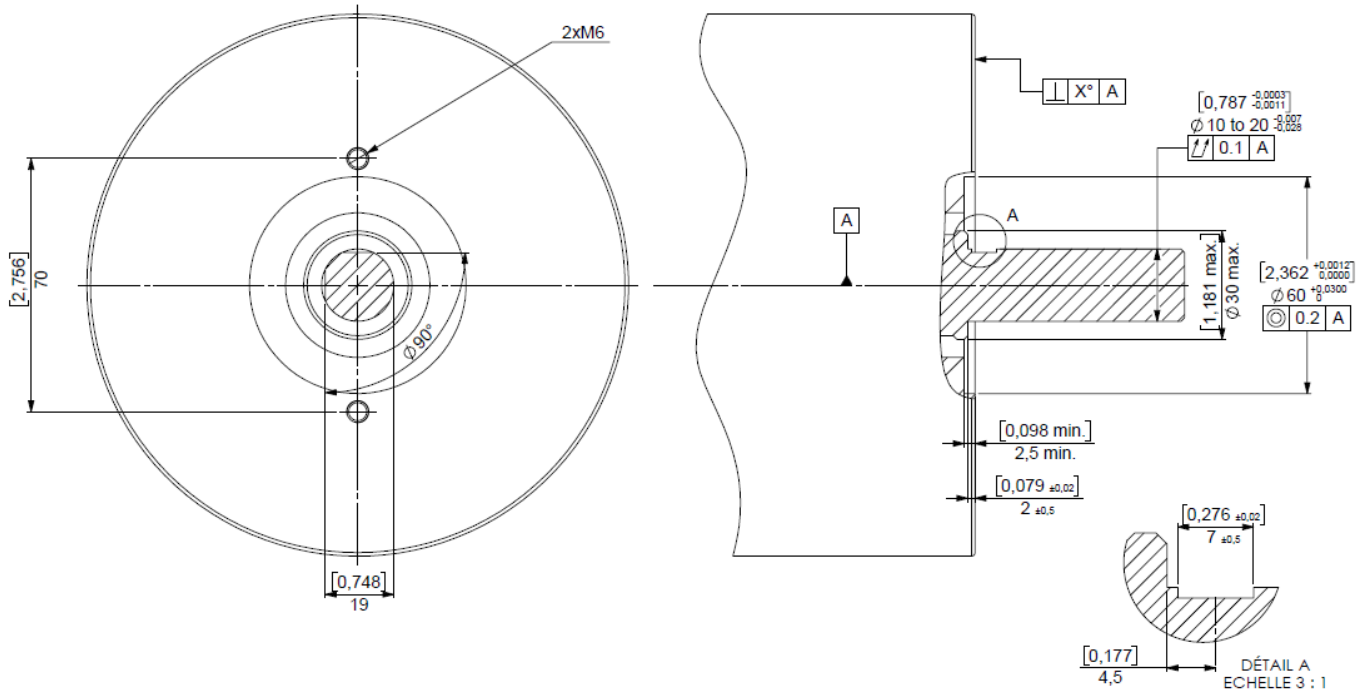
- M9410/009-14 = 14mm shaft (M/N code C14P)
- M9410/009-20 = 20mm shaft (M/N code C20P)
- M9410/009-4E = 1/2" shaft (M/N code C4EP)
- M9410/009-6E = 3/4" shaft (M/N code C6EP)

Features

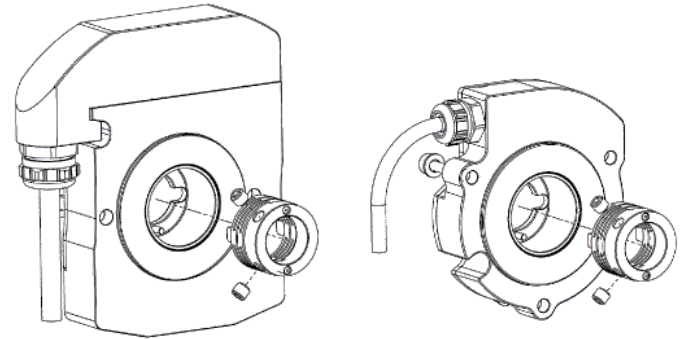
- Integrated Couplings allow the user to reduce the bore size of the LP series encoders from 30mm down to a size that matches to their mating shaft.
- The coupling provides both thermal and electrical isolation of the encoder from the shaft without increasing the overall thickness of the encoder.
- Since it also provides flexibility against shaft runout, the body of the encoder can be hard mounted to the motor frame or flange.
- Note the limits on misalignment in the table, below.

| Shaft Diameter | Perpendicularity (X°) | Permissible Misalignment |
|-------------------------------|-----------------------|-------------------------------------|
| $\varnothing < 0.7"$ (18mm) | $\pm 1^\circ$ | +1.0mm/-2.5mm [+0.039 in/-0.098 in] |
| 0.787" ($\varnothing 20$ mm) | $\pm 0.25^\circ$ | |





Reference the on line User's Manual for details of installing and aligning the Integrated Coupling.



Sensata Technologies, Inc. ("Sensata") data sheets are solely intended to assist designers ("Buyers") who are developing systems that incorporate Sensata products (also referred to herein as "components"). Buyer understands and agrees that Buyer remains responsible for using its independent analysis, evaluation and judgment in designing Buyer's systems and products. Sensata data sheets have been created using standard laboratory conditions and engineering practices. Sensata has not conducted any testing other than that specifically described in the published documentation for a particular data sheet. Sensata may make corrections, enhancements, improvements and other changes to its data sheets or components without notice.

Buyers are authorized to use Sensata data sheets with the Sensata component(s) identified in each particular data sheet. HOWEVER, NO OTHER LICENSE, EXPRESS OR IMPLIED, BY ESTOPPEL OR OTHERWISE TO ANY OTHER SENSATA INTELLECTUAL PROPERTY RIGHT, AND NO LICENSE TO ANY THIRD PARTY TECHNOLOGY OR INTELLECTUAL PROPERTY RIGHT, IS GRANTED HEREIN. SENSATA DATA SHEETS ARE PROVIDED "AS IS". SENSATA MAKES NO WARRANTIES OR REPRESENTATIONS WITH REGARD TO THE DATA SHEETS OR USE OF THE DATA SHEETS, EXPRESS, IMPLIED OR STATUTORY, INCLUDING ACCURACY OR COMPLETENESS. SENSATA DISCLAIMS ANY WARRANTY OF TITLE AND ANY IMPLIED WARRANTIES OF MERCHANTABILITY, FITNESS FOR A PARTICULAR PURPOSE, QUIET ENJOYMENT, QUIET POSSESSION, AND NON-INFRINGEMENT OF ANY THIRD PARTY INTELLECTUAL PROPERTY RIGHTS WITH REGARD TO SENSATA DATA SHEETS OR USE THEREOF.

All products are sold subject to Sensata's terms and conditions of sale supplied at www.sensata.com SENSATA ASSUMES NO LIABILITY FOR APPLICATIONS ASSISTANCE OR THE DESIGN OF BUYERS' PRODUCTS. BUYER ACKNOWLEDGES AND AGREES THAT IT IS SOLELY RESPONSIBLE FOR COMPLIANCE WITH ALL LEGAL, REGULATORY AND SAFETY-RELATED REQUIREMENTS CONCERNING ITS PRODUCTS, AND ANY USE OF SENSATA COMPONENTS IN ITS APPLICATIONS, NOTWITHSTANDING ANY APPLICATIONS-RELATED INFORMATION OR SUPPORT THAT MAY BE PROVIDED BY SENSATA.

Mailing Address: Sensata Technologies, Inc., 529 Pleasant Street, Attleboro, MA 02703, USA.

CONTACT US

Americas

+1 (800) 350 2727
sensors@sensata.com

Europe, Middle East & Africa

+33 (3) 88 20 8080
position-info.eu@sensata.com

Asia Pacific

sales.isasia@list.sensata.com
China +86 (21) 2306 1500
Japan +81 (45) 277 7117
Korea +82 (31) 601 2004
India +91 (80) 67920890
Rest of Asia +886 (2) 27602006
ext 2808