

- Low profile package saves space
- Excellent resistance to shock and vibration
- 30mm standard through shaft, PEEK reduction hub available
- High protection level of IP66
- High performance in temperatures from -40°C to +100°C
- SSI output
- Programmable resolution up to 16 bits



Certifications:

The LP35 Absolute Encoder is available with the following certifications



Output:



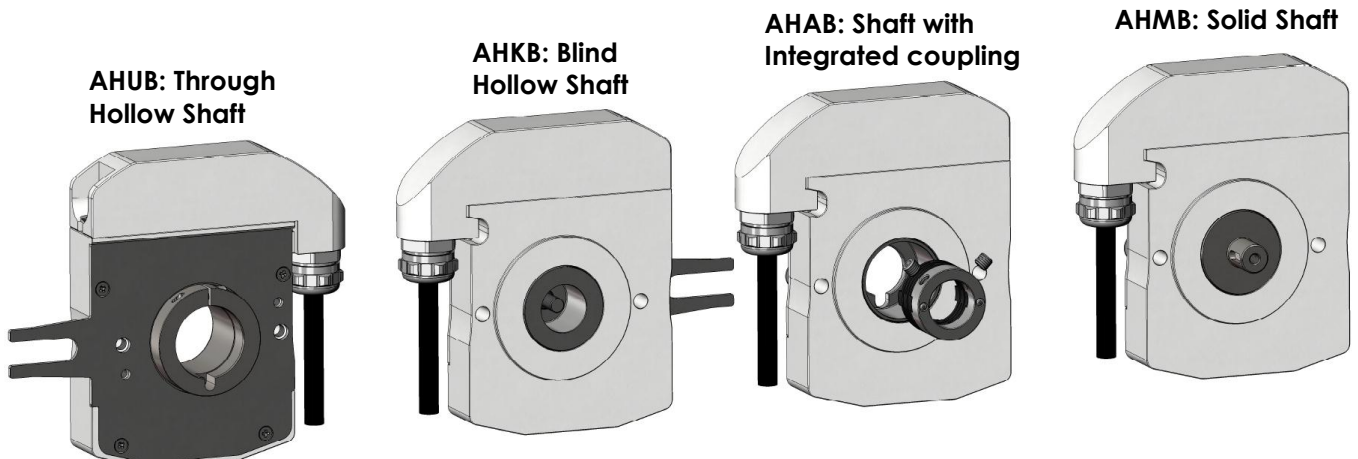
Serial Synchronous Interface SSI output provides effective synchronisation in a closed-loop control system. A clock pulse train from a controller is used to shift out sensor data: one bit of position data is transmitted to the controller per clock pulse received by the sensor.

Mechanical Characteristics:

Material	Cover : anodised aluminum	Vibrations (EN60068-2-6)	≤ 200m.s ⁻² (55 ... 2 000 Hz)
	Body : anodised aluminum	Shaft inertia	< 84000 g.mm ²
	Shaft : AISI 303 stainless steel	Static/Dynamic torque	30 / 300 mN.m
Ball bearings	6807 - Sealed	Permissible max. speed	6000 min ⁻¹
Maximum loads	Axial: 40 N	Continuous max. speed	4000 min ⁻¹
	Radial: 80 N	Theoretical mechanical lifetime L _{10h} *	> 18.10 ⁹ turns / 100000 hours
Shocks (EN60068-2-27)	≤ 3000m.s ⁻² (during 5 ms)	Encoder weight (approx.)	790g

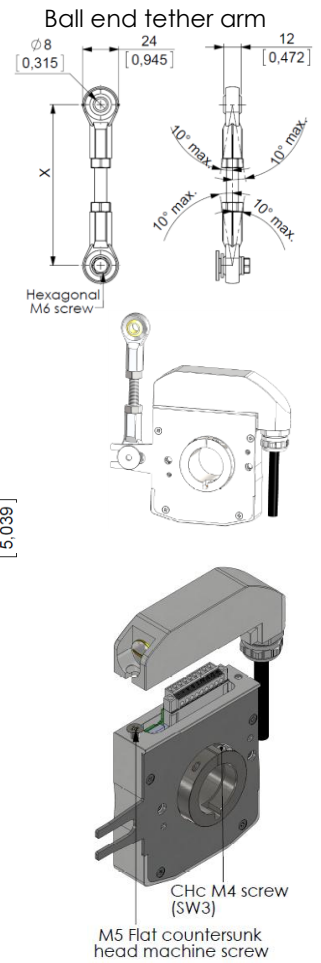
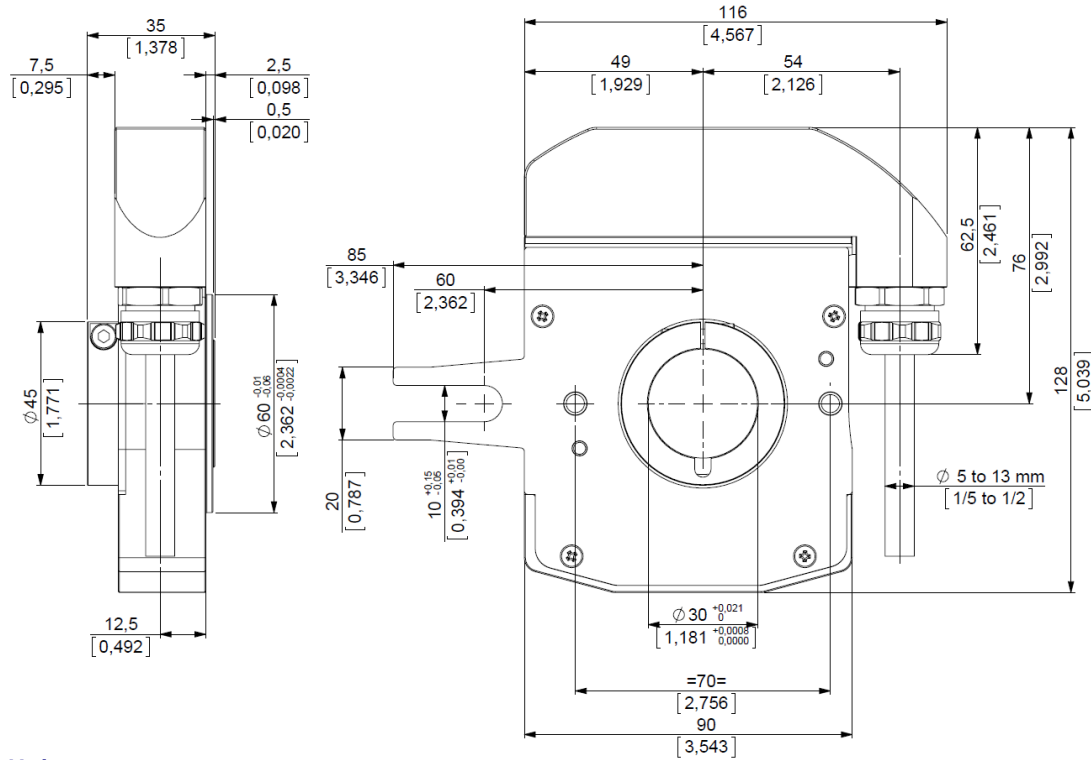
* continuous max. speed – ½ max. load – ISO 281, L₁₀

Available mechanics – shaft options:



Dimensions

AHUB – Through hollow shaft – with terminal box



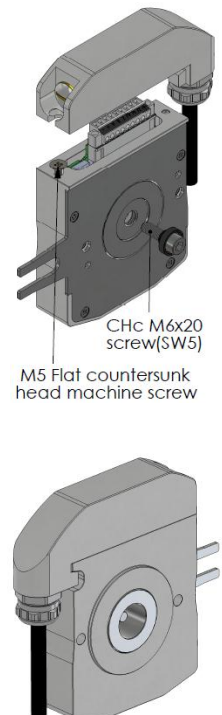
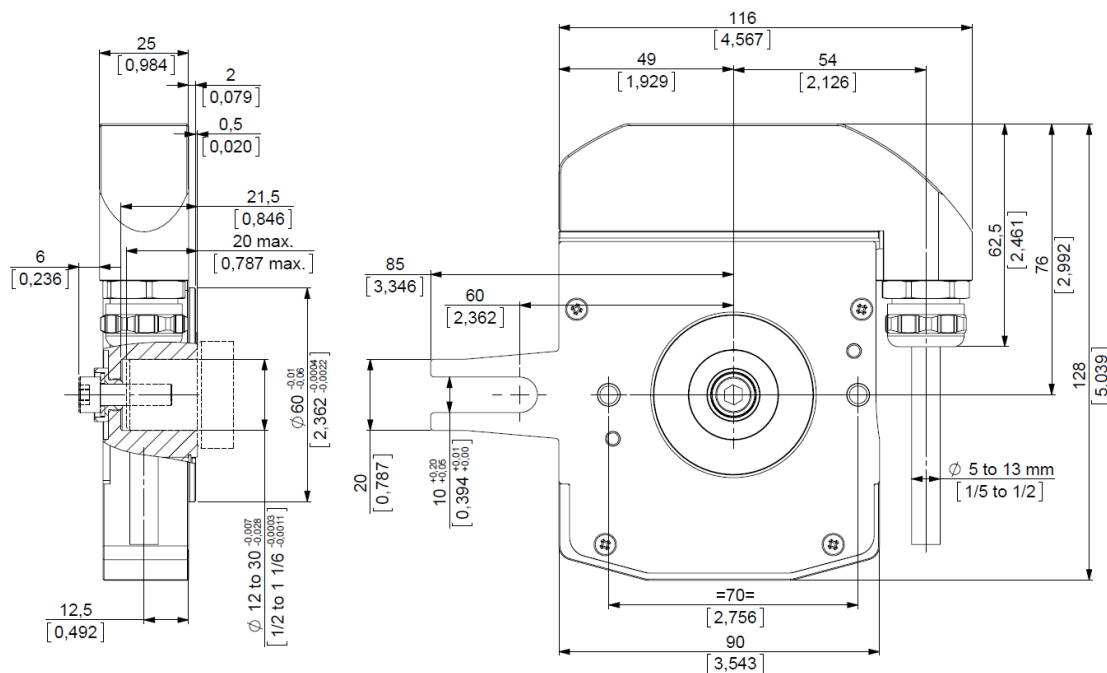
Note :

CHc : Hexagonal Socket head cap screws

HC : Hexagonal socket set screws

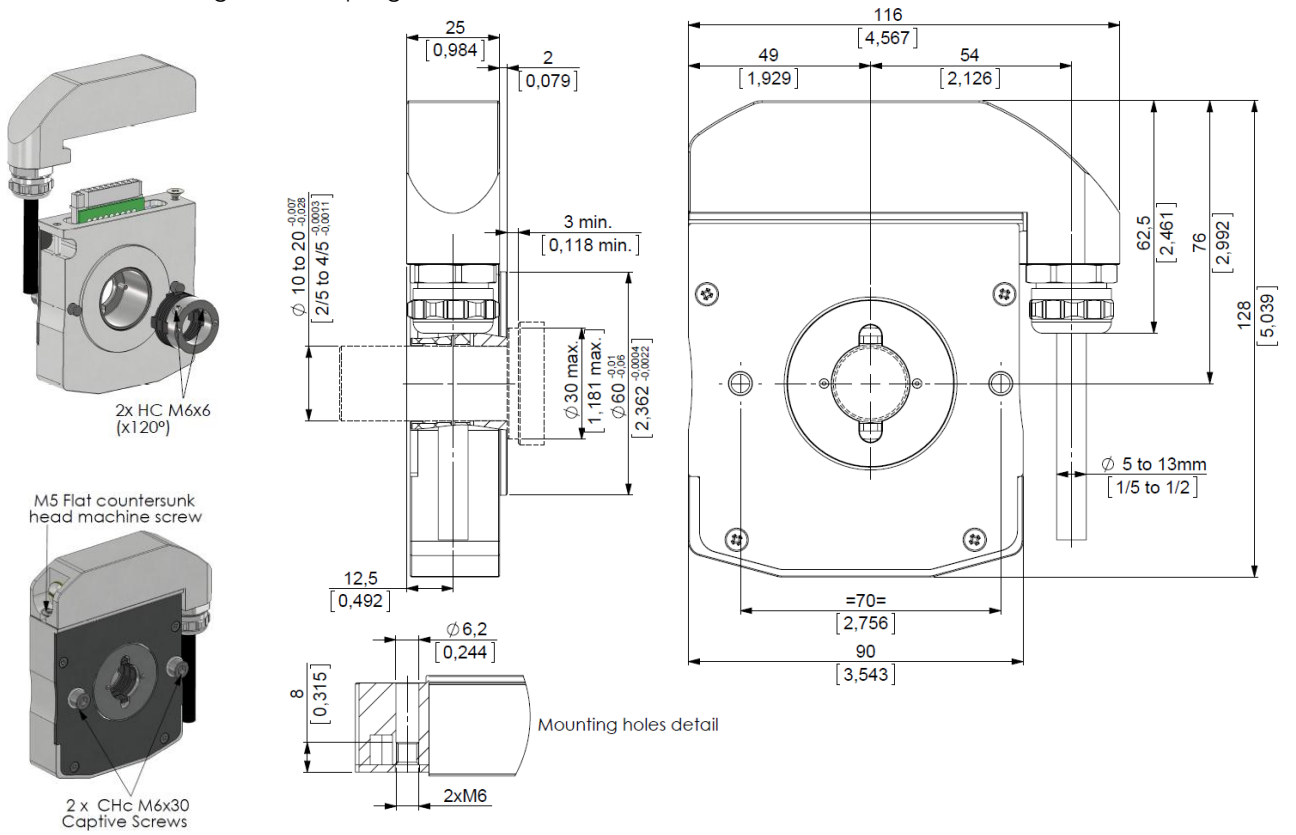
Dimensions

AHKB – Blind hollow shaft – with terminal box



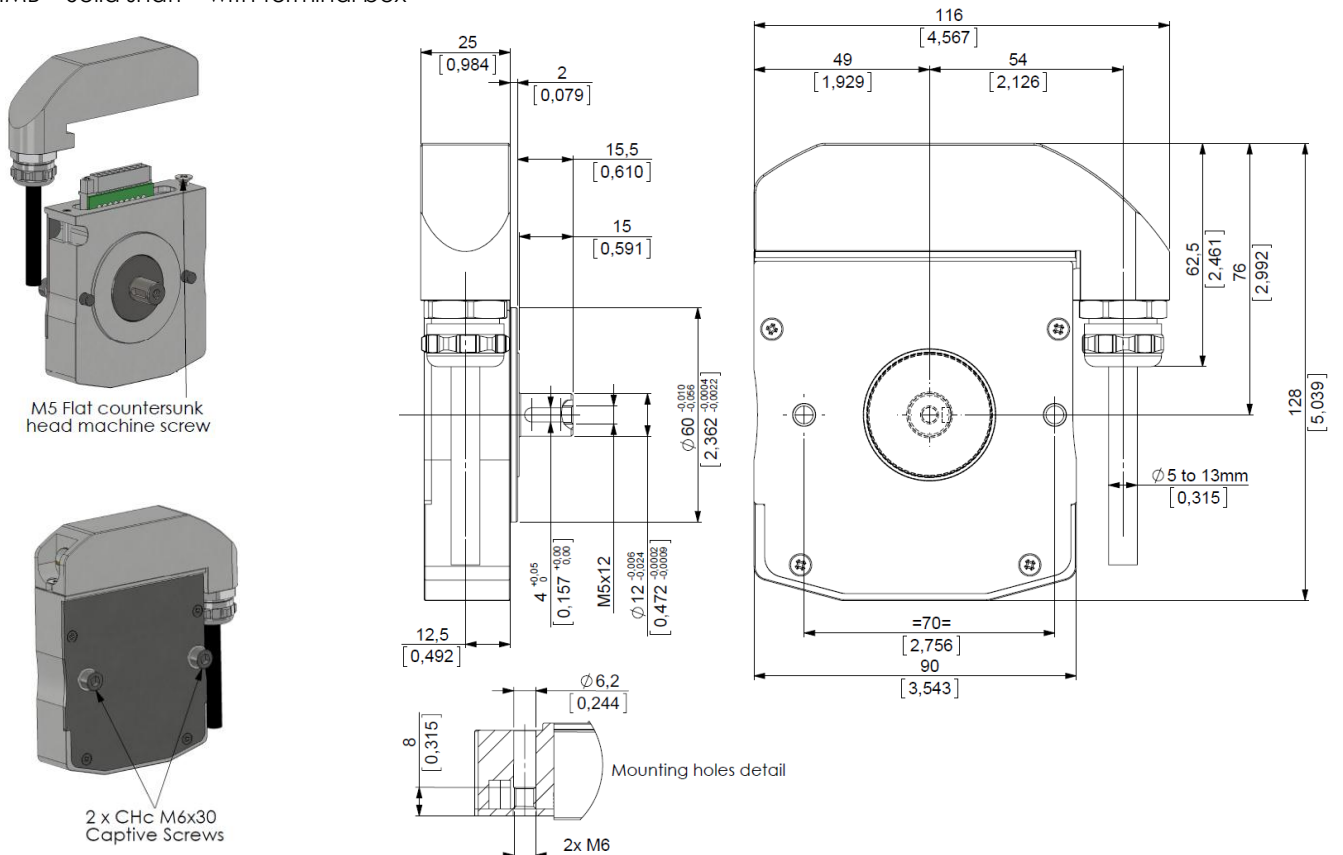
Dimensions

AHAB – Shaft with integrated coupling – with terminal box



Dimensions

AHMB – Solid shaft – with terminal box



Electrical Characteristics:

Version	Output signals	Resolution	Operating Voltage Vcl	Supply current (no loads)	Current per channel pair	Max Frequency capability	Encoder accuracy	Short circuits proof	Reverse polarity tolerant	Temperature range
PPX	RS422	up to 16bits	5-30V --- 250mA	75mA	40mA	1MHz	+/-0.1°	Yes (except to Vcl)	Yes	-40°C +100°C

Terminal Box Connection:

		-	+	Clk+	Clk-	Data +	Data -	RAZ	NC	Ground
SX	Terminal box - 9 pins	1	2	3	4	5	6	7	8	9

Programmable possibility:

The programmable LP35 absolute encoder features a patented dynamic encoder resolution capability that allows users to easily program the encoder resolution to any value between 1 and 16bits per turn. The LP35 allows for virtually unlimited resolution variations.

Using the simple programming interface software and USB interface cable, users can program the encoder resolution on site as needed. In the software, type the encoder resolution and click 'Program'. A new resolution is now programmed. It's that easy!

With the LP35, resolution can be programmed and reprogrammed at any time by the user.

For users with multiple requirements, LP35 can be kept in stock and programmed as needed.

LP35 programming cable has to be ordered separately: consult us.

LP35 Absolute Ordering Options

Use this diagram, working from left to right to construct your model number (Example : **AHAX_E6//PPXx//xx//SXR//U6******)

AH_B	--	//	PPX	x	//	xx	//	SXR	//	--	--**			
TYPE:	SHAFT BORE:		VOLTAGE/ OUTPUT:	CODE:		CYCLES PER TURN:		OUTPUT TERMINATION:		HUB:	ANTI-ROTATION			
AHUB = hollow shaft	E5 = 5/8" E6 = 3/4" E8 = 1" 30 = 30mm		PPX = 5-30V voltage and SSI output Programmable electronic	Programmable code		Programmable resolution		SXR = M16 cable-gland		U3 = With insulated sleeve	B2** = Anti-rotation fork (always with AHUB and AHKB)			
AHKB = blind shaft														
AHAB = hollow shaft with integrated coupling	E6 = 3/4" 14 = 14mm 20 = 20mm												U5 = Blind sleeve U6 = Through sleeve	**** = No anti-rotation for AHAB and AHMB
AHMB = solid shaft	E3 = 3/8" 12 = 12mm												** = no sleeve	

Stainless steel option available

Anti-rotation accessory: M9230-04/xxx Ball end tether arm (xxx = length in cm) to be ordered separately

BEI SENSORS Europe

9, rue de Copenhague
Espace Européen de l'Entreprise-Schiltigheim
BP 70044 - 67013 STRASBOURG Cedex France
Tel: +33 (0)3-88-20-80-80 | Fax: +33 (0)3-88-20-87-87
email: info@beisensors.com

BEI SENSORS North America

7230 Hollister Avenue | Goleta, CA 93117 USA
Tel: 800-350-2727 or 805-968-0782
Fax: 800-960-2726 or 805-968-3154
email: beisales@beisensors.com
www.beisensors.com