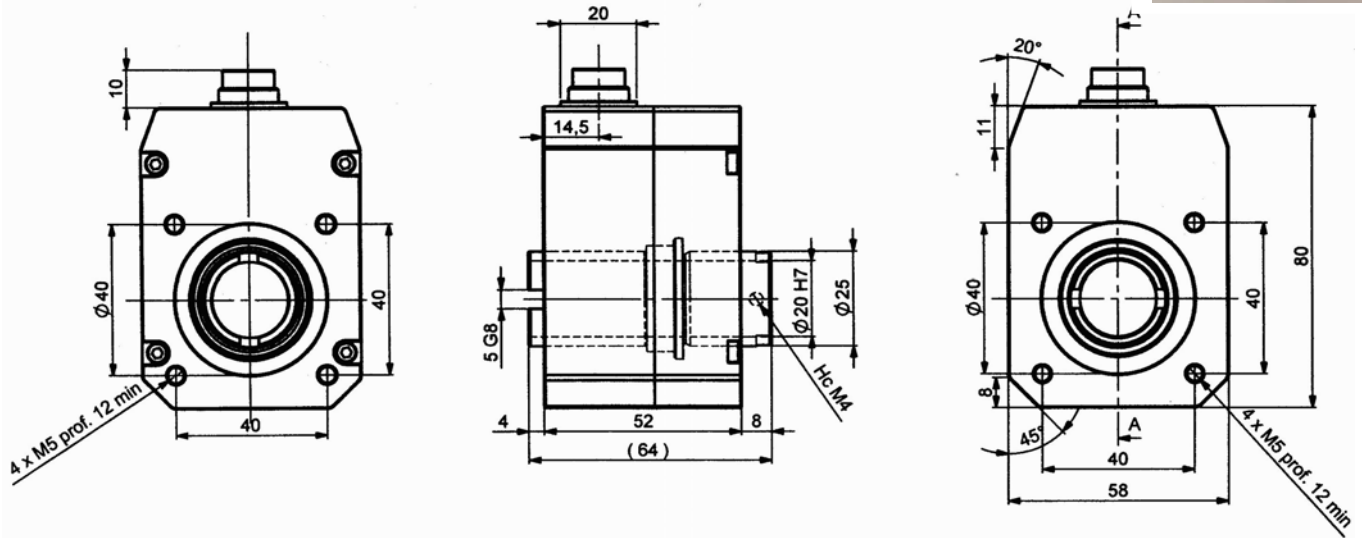


INCREMENTAL ENCODERS, GHTB SERIE

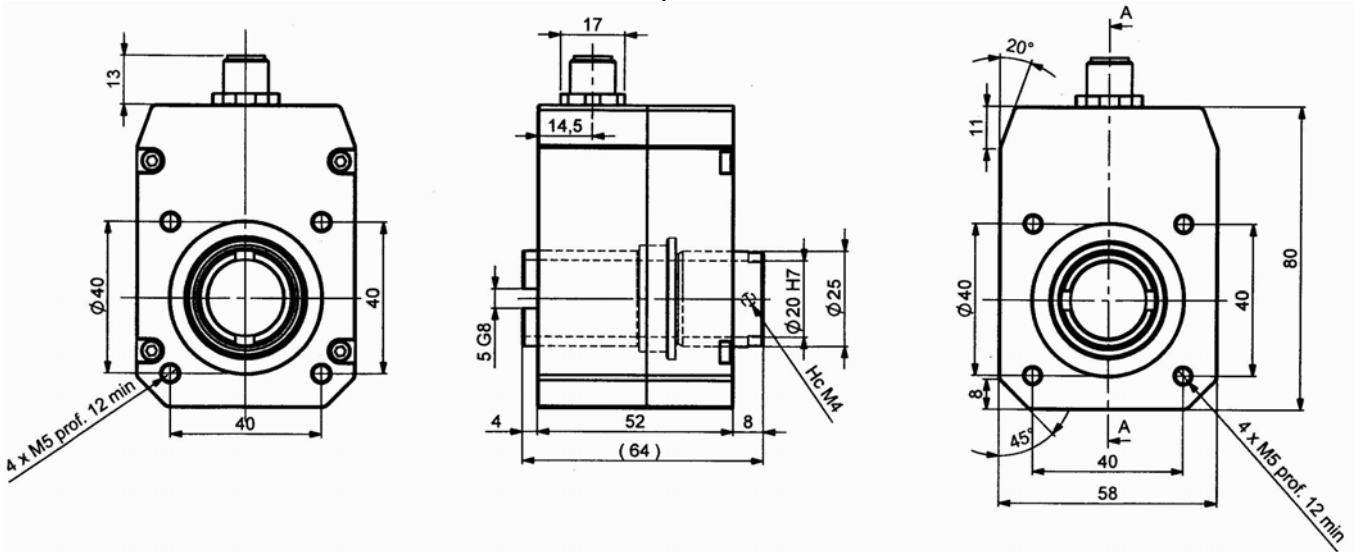
20 mm hollow shaft incremental encoder. Nearly indestructible, specially designed for heavy duty application (steel, paper, wood mill, cranes...). Compact and robust conception. Excellent resistance to shocks / vibrations and to extreme axial/radial loads.



GHTB_20, Binder DIN 8 pinouts connection



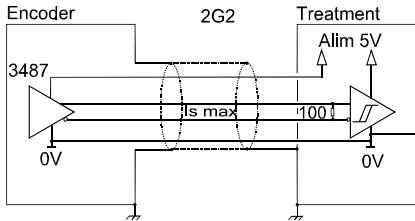
GHTB_20, M12 8 pinouts connection



Material	Cover : aluminium	Shocks (EN60068-2-27)	≤ 30 g (during 11 ms)
Option : stainless steel	Body : aluminium	Shocks (EN60028-2-29)	≤ 10 g (during 6 ms)
Shaft	Stainless steel	Vibration (EN60068-2-6)	≤ 10 g (10 Hz...500 Hz)
Ball bearings	6500 DDU	EMC	EN 61000-6-4, EN 61000-6-2
Maximal loads	Axial : 100 N	Electric life time	> 10 ⁵ h
	Radial : 200 N	Weight	650 g
Shaft inertia	≤ 140 g.cm ²	Operating temperature	- 20... + 85 °C
Torque	≤ 2,5 N.cm	Storage temperature	- 40... + 85 °C
Maximal speed	6 000 rpm	Humidity	98 % (without condensation)
Nominal speed (continuous)	3 000 rpm	Protection(EN 60529)	IP 65
Maximal acceleration	1.10 ⁵ rad.s ⁻²	Theoretical mechanical lifetime 10 ⁹ turns (F _{axial} / F _{radial})	
Shaft seal	Nitril	25 N / 50 N: 1 090	50 N / 100 N: 135 100 N / 200 N: 17,0

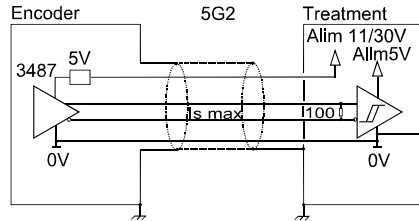
INCREMENTAL ENCODERS, GHTB SERIE

OUTPUT CIRCUITS / POWER SUPPLY



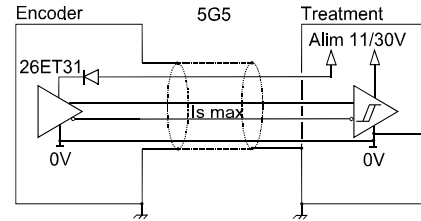
Electronics 2G2

Supply : 5Vdc \pm 10%
Consumption : 100mA
Intensity per channel : 40mA
Level 0 max : $V_{ol} = 0,5Vdc$
Level 1min : $V_{oh} = 2,5Vdc$



Electronics 5G2

Supply : 11 - 30Vdc
Consumption : 60mA
Intensity per channel : 40mA
Level 0 max : $V_{ol} = 0,5Vdc$
Level 1min : $V_{oh} = 2,5Vdc$



Electronics 5G5

Supply : 11 - 30Vdc
Consumption : 75mA
Intensity per channel : 50mA
Level 0 max : $V_{ol} = 1,5Vdc$
Level 1min : $V_{oh} = V_{cc} - 2,5Vdc$

Protection against short circuits and against inversion of polarity for the electronic 5G5

CONNECTION

	-	+	A	B	0	A/	B/	0/	Ground
00R/OP (Binder DIN 8 pinouts) or 00R/OQ (M12, 8 pinouts)	8	1	2	4	6	3	5	7	Connector body

ORDERING REFERENCE Contact the factory for special versions (electronics, special flanges, connections, ..)

	Shaft \varnothing	Available electronics		Output channels	Resolution	Connection
GHTB	20: 20mm	2G2, 5G2, 5G5		9: A,A/,B,B/,0,0/ 0: A&B gated A: A,A/,B,B/,0,0/ 0: A gated N: A,A/,B,B/,0,0/ 0: ungated	3 600 max	00R/OP/ : Binder DIN 8 pinouts 00R/OQ/ : M12 8 pinouts
		Power supply	Output stages			
		2: 5Vdc 5: 11 - 30Vdc	G2: driver 5Vdc RS422 G5: push-pull 11-30Vdc			
Ex: GHTB_	20 //	5	G5	9 //	1 000//	00R/OP/