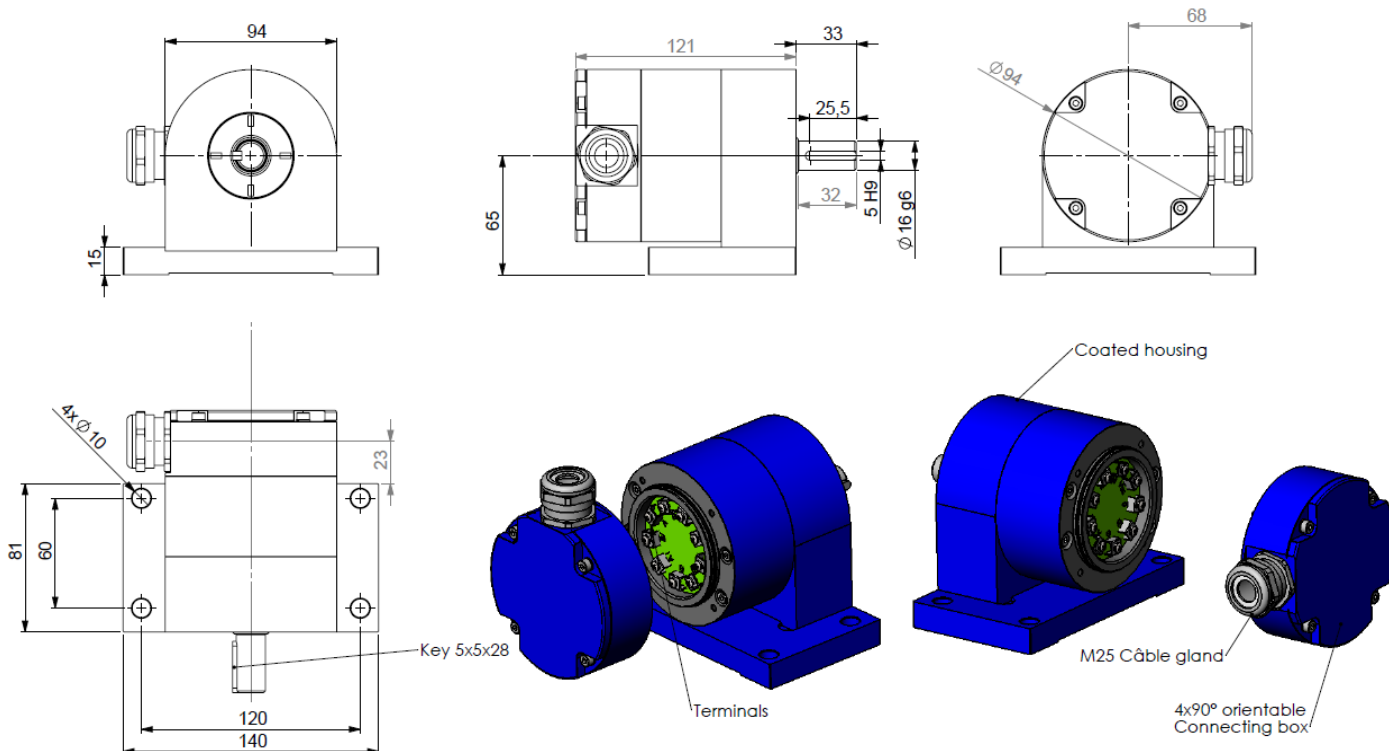


The GOEMS16 is an ultra heavy duty encoder. The conception is adapted to severe shock and shaft loading conditions. The optics and electronics are supported in shock absorbing material within the heavy cast outer housing. The encoder is equipped with high load capacity bearings.



GOEMS16 - GBR connection (radial terminal box) - 140 x 81 Base mounted feet



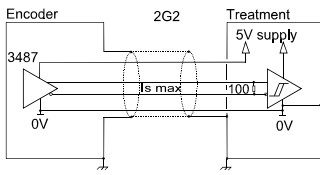
MECHANICAL CHARACTERISTICS

Material	Cover : stainless steel 303
	Body : nickered steel
Shaft	Stainless steel
Bearings	6004
Maximal loads	Axial : 250 N
	Radial : 500 N
Shaft inertia moment	$\leq 8 \cdot 10^{-4} \text{ kg.m}^2$
Torque	$\leq 30 \cdot 10^{-3} \text{ N.m}$
Permissible max. speed	6 000 min ⁻¹
Continuous max. speed	4 000 min ⁻¹
Shaft seal	NBR

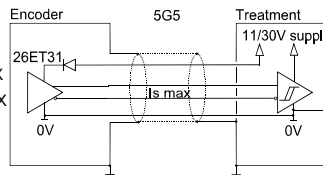
Shock (EN60068-2-27)	$\leq 500 \text{ m.s}^{-2}$ (during 6ms)
Vibration (EN60068-2-6)	$\leq 200 \text{ m.s}^{-2}$ (10 ... 1 000 Hz)
EMC	EN 50081-1, EN 61000-6-2
Isolation	1 000 Veff
Weight	4,5 kg
Operating temperature	- 20 ... + 80 °C (Encoder T°)
Storage temperature	- 40 ... + 80 °C
Protection(EN 60529)	IP 67
Theoretical mechanical lifetime (F _{axial} / F _{radial})	
125 / 250	24.10 ⁹ Revolutions
250 / 500	2,1.10 ⁹ Revolutions

INCREMENTAL ENCODERS, GOEMS16 RANGE, 140 x 81 BASE MOUNTED FEET

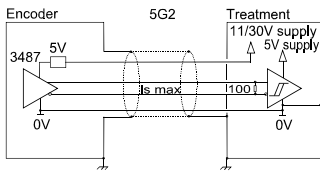
OUTPUT ELECTRONIC / SUPPLY



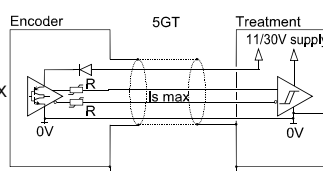
2G2 electronic (100kHz)
Supply : 5Vdc ± 10%
Cons. without load : 100mA max
Current per channel : 40mA max
0 max (Is=20mA) : $V_{oi} = 0,5Vdc$
1 min (Is=20mA) : $V_{oh} = 2,5Vdc$



5G5 electronic (100kHz)
Supply : 11 to 30Vdc
Cons. without load : 75mA max
Current per channel : 40mA max
0 max (Is=20mA) : $V_{oi} = 0,5Vdc$
1 min (Is=20mA) : $V_{oh} = V_{cc}-3Vdc$



5G2 electronic (100kHz)
Supply : 11 to 30Vdc
Cons. without load : 75mA max
Current per channel : 40mA max
0 max (Is=20mA) : $V_{oi} = 0,5Vdc$
1 min (Is=20mA) : $V_{oh} = 2,5Vdc$



5GT electronic, optional (100kHz)
Supply : 11 to 30Vdc
Cons. without load : 75mA max
Current per channel : 40mA max
0 max (Is=20mA) : $V_{oi} = 0,5Vdc$
1 min (Is=20mA) : $V_{oh} = V_{cc}-2,5Vdc$

5GT electronic permits to drive long cable (contact our factory).

Available in option :

- 3G3 electronic, supply between 15 and 30Vdc, push-pull output regulated 12Vdc,
- 5GH electronic permits to drive different inputs (PLC + display for example).

Protection against short circuits for electronics: 5G5, 5GT, 3G3.
Protection against polarity inversion for all electrics except 2G2.

STANDARD CONNECTION

Ref	Type	-	+	A	B	0	A/	B/	0/	Ground
GB	Terminal box	1	2	3	4	5	6	7	8	On cable gland

ORDERING CODE

Range	Shaft Ø	Available electronic		Signal	Resolution	Connection	Connection orientation	Key	Special
GOEMS	16: 16mm	2G2, 5G2, 5G5, 5GT, 5GH, 3G3		9 : A, A/ B, B/ 0, 0/ (0, A&B gated)	10 000 max	GB : Terminal box	R : Radial	C3**: Key on shaft	EN: Base mounted feet 140mm x 81mm
		Supply	Output stage						
		2 : 5Vdc 5 : 11 to 30Vdc 3 : 15 to 30Vdc	G2 : driver 5Vdc RS422 G3 : driver 12Vdc G5 : push-pull GT : push-pull 11-30Vdc transistorized GH : push-pull 11-30Vdc 150 mA						
GOEMS	16 //	5	GT	9 //	5 000 //	GB	R //	C3**	EN

AVAILABLE RESOLUTIONS

1 2 3 4 5 6 7 8 9 10 12 13 14 15 16 19 20 21 24 25 26 28 29 30 32 35 36 39 40 43 45 46 48 50 54 56 58 60 62 63 64 66 67 70
72 74 75 76 80 84 86 88 89 90 91 94 96 100 107 110 120 122 123 125 127 128 130 132 135 138 140 147 150 157 159 160 168 169
170 172 175 180 188 191 196 200 201 205 220 222 225 234 240 241 242 245 246 248 250 254 255 256 258 259 267 268 275 283 285
295 300 305 314 315 318 320 330 340 350 360 367 375 378 380 381 388 390 397 400 405 410 424 425 438 443 450 471 480 489 495
500 505 512 515 534 540 550 565 580 600 623 625 628 630 632 635 650 660 700 720 746 750 752 754 800 810 840 860 880 891 900
942 990 1000 1024 1080 1100 1131 1200 1225 1250 1260 1280 1290 1400 1414 1440 1500 1536 1570 1600 1620 1630 1750 1800 1885
2000 2048 2250 2400 2500 2640 3000 3456 3600 3680 3750 4000 4096 4500 4900 5000 7200 9000 10000

Made in FRANCE