

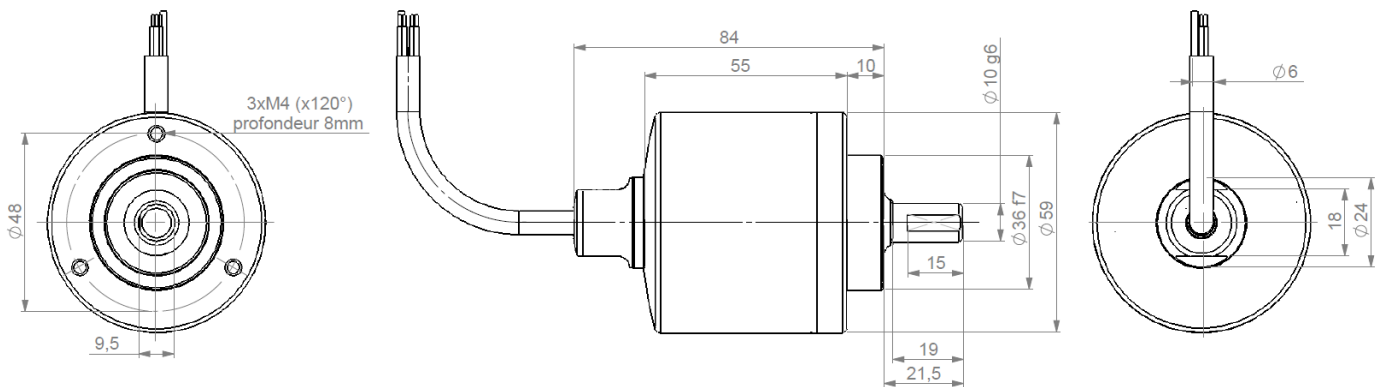
MAGNETIC INCREMENTAL ENCODERS, HXM5S – STAINLESS STEEL 316 - IP69K



- Adapted to food and beverage – pharmaceutical - river – offshore applications,
- Stainless steel encoder (316) with hygienic design,
- Flanges and shaft adapted to the market needs,
- Robustness and excellent resistance to shocks / vibrations,
- Double ball bearings with safety lock system,
- Solid shaft version Ø10mm,
- High protection level IP69K,
- Universal power supply 5 to 30Vdc,
- Industrial standard electronic RS422/TTL and HTL,
- High performances in temperature –40°C to +85°C (100°C option)
- Magnetic technology, Hall effect contactless,
- Resolutions available : up to 1 024ppr,
- Adapted axial cable gland output.



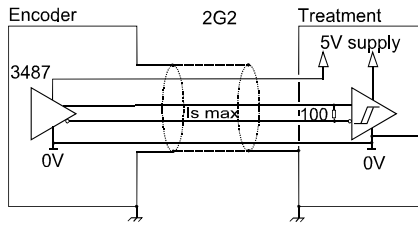
HXM5S10 DIMENSIONS



MECHANICAL CHARACTERISTICS

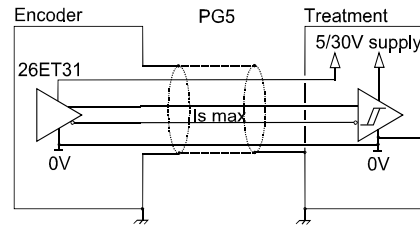
Material	Shaft: Stainless steel 316	Shaft inertia	$\leq 1,2 \cdot 10^{-6} \text{ kg.m}^2$
	Cover: Stainless steel 316	Torque	$\leq 90 \cdot 10^{-3} \text{ N.m}$
	Body: Stainless steel 316	Shocks (EN60068-2-27)	$\leq 2000 \text{ m.s}^{-2}$ (during 6 ms)
Bearings	Double ball bearings	Vibrations (EN60068-2-6)	$\leq 200 \text{ m.s}^{-2}$ (55 ... 2 000 Hz)
Maximal loads	Axial : 250 N	Encoder weight (approx.)	0,600 kg
	Radial : 500 N	Protection (EN 60529)	IP 69K
Theoretical mechanical lifetime 10^9 turns (F_{axial} / F_{radial}) 50 N / 100 N : 12 250 N / 500 N : 0,5		EMC	EN 61000-6-4 - EN 61000-6-2
Permissible max. speed	4 000 min ⁻¹	Isolation	500 Veff
Continuous max. speed	3 000 min ⁻¹	Operating temperature	- 40... + 85°C (100 °C at 5 Vdc)
		Storage temperature	- 40... + 100 °C

OUTPUT ELECTRONIC / POWER SUPPLY



2G2 electronic (100kHz)

Supply : 5Vdc ± 10%
Cons. without load : 40mA max
Current per channel : 40mA max
0 max (I_s=20mA) : V_{ol} = 0,5Vdc
1 min (I_s=20mA) : V_{oh} = 2,5Vdc



PG5 electronic(100kHz)

Supply : 5 to 30Vdc
Cons. without load : 40mA max
Current per channel : 40mA max
0 max (I_s=20mA) : V_{ol} = 0,5Vdc
1 min (I_s=20mA) : V_{oh} = V_{cc}-3Vdc

Protection against short circuits and inversion of polarity for the electronic PG5.

STANDARD CONNECTION

Type	Cable	-	+	A	B	0	A/	B/	0/	Ground
G3	PVC 8 wires 8230/020	WH white	BN brown	GN green	YE yellow	GY grey	PK pink	BU blue	RD red	Main shield

ORDERING REFERENCE (Contact the factory for special versions , ex: stainless steel version, connections...)

Range	Shaft Ø	Mechanics	Available electronics		Signals	Resolution	Cable	Orientation
HXM5S	10 10mm	AA 316 stainless steel IP69K Hygienic design	2G2, PG5		9 A, A/, B, B/, 0, 0/ 0 gated A&B	1024 max	G3 PVC cable 8 wires	Example A020 axial cable 2m
			Supply	Output				
			2 : 4,5V to 5,5Vdc P : 5 to 30Vdc	G2 : TTL / RS422 G5 : Push-pull (TTL / RS422 if 5Vdc)				

Ex: HXM5S 10 / AA / P G5 9 // 01024 // G3 A020

AVAILABLE RESOLUTIONS

32 64 128 256 1024

Made in FRANCE