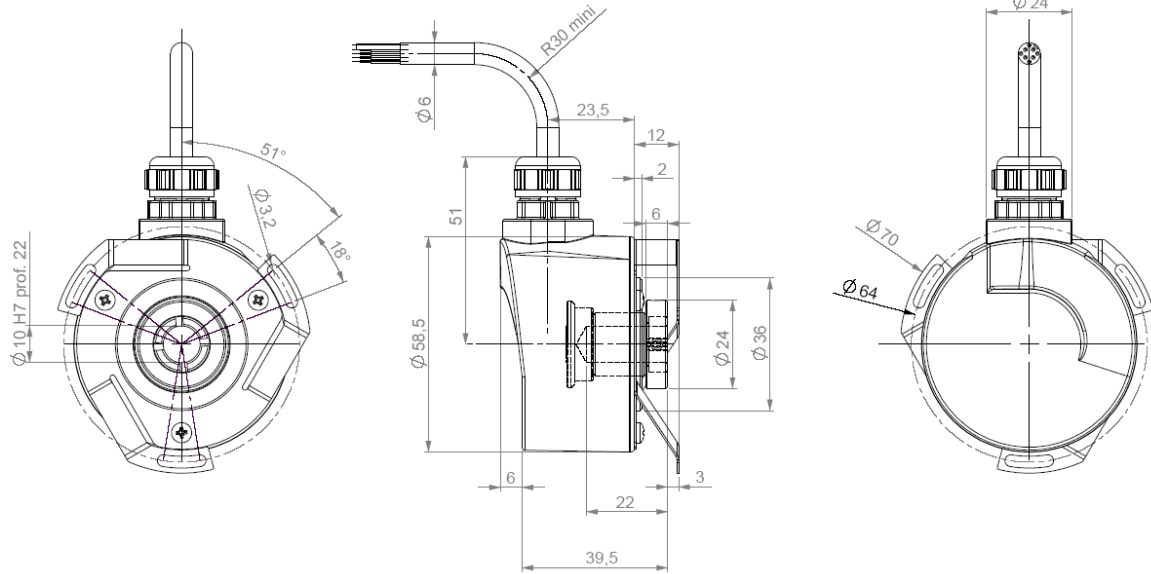


INCREMENTAL ENCODERS, JHK5 RANGE

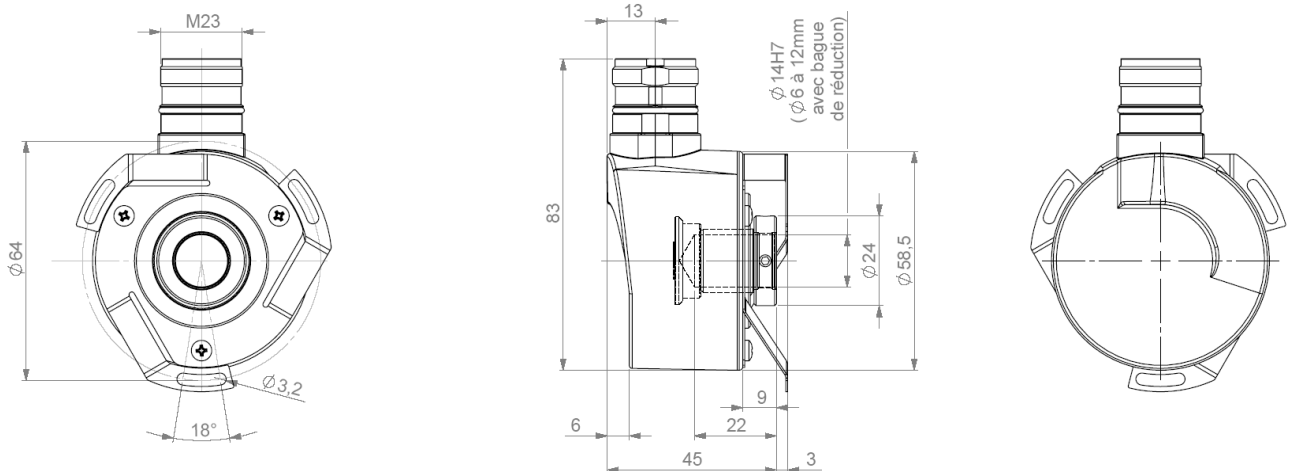
- Blind shaft version $\varnothing 14$ mm, with reduction hubs in aluminium of 6, 8, 10 and 12 mm,
- Easy mounting thanks to DAC 9445/024 (Anti-Coupling Device),
- Robustness and excellent resistance to shocks / vibrations,
- High protection level IP65,
- Resolutions available : up to 2 500 ppr,
- Unbreakable Polyfasc disc (Mylar-Mica composite),
- Compact design.



JHK5_10 connection G3R (radial cable), DAC 9445/024 mounted on body



JHK5_14 connection G6R (radial M23), DAC 9445/024 mounted on body

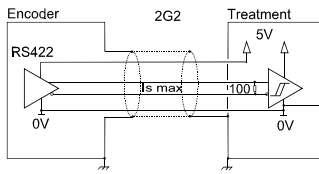


Minimum shaft depth : 12mm for optimal centring

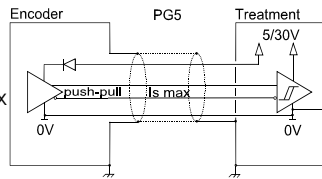
Material	Cover : zinc alloy	Vibrations (EN60068-2-6)	$\leq 100 \text{ m.s}^{-2}$ (55 ... 2 000 Hz)
	Body : aluminium	EMC	EN 50081-1, EN 61000-6-2
	Shaft : stainless steel	Isolation	1 000 V eff
Bearings	6 803 serie	Encoder weight (approx.)	0,300 kg
Maximal loads	Axial : 20 N	Operating temperature	- 20 ... + 80°C (encoder T°)
	Radial : 50 N	Storage temperature	- 30 ... + 80°C
Shaft inertia	$\leq 2,2 \cdot 10^{-6} \text{ kg.m}^2$	Protection(EN 60529)	IP 65
Torque	$\leq 6 \cdot 10^{-3} \text{ N.m}$	Torque (ring pressure screw)	nominal: 1.5 N.m, break: 2.0 N.m
Permissible max. speed	$9\ 000 \text{ min}^{-1}$	Theoretical mechanical lifetime 10^9 turns (F_{axial} / F_{radial})	
Continuous max. speed	$6\ 000 \text{ min}^{-1}$	10N / 25N	20N / 50N
Shocks (EN60068-2-27)	$\leq 500 \text{ m.s}^{-2}$ (during 6 ms)	230	29

INCREMENTAL ENCODERS, JHK5 RANGE

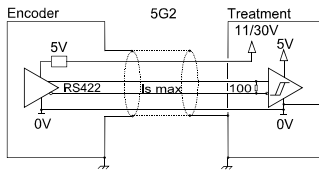
DIGITAL OUTPUT SIGNALS (SQUARE WAVE SIGNALS)



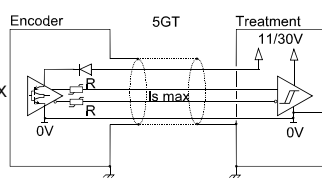
2G2 electronic
Supply : 5Vdc ± 10%
Cons. without load : 75mA max
Current per channel : 40mA max
0 max (I_s=20mA) : V_{oi} = 0,5Vdc
1 min (I_s=20mA) : V_{oh} = 2,5Vdc



PG5 electronic
Supply : 5 to 30Vdc
Cons. without load : 75mA max
Current per channel : 40mA max
0 max (I_s=20mA) : V_{oi} = 0,5Vdc
1 min (I_s=20mA) : V_{oh} = V_{cc}-2,5Vdc



5G2 electronic
Supply : 11 to 30Vdc
Cons. without load : 75mA max
Current per channel : 40mA max
0 max (I_s=20mA) : V_{oi} = 0,5Vdc
1 min (I_s=20mA) : V_{oh} = 2,5Vdc



5GT electronic
Supply : 11 to 30Vdc
Cons. without load : 75mA max
Current per channel : 40mA max
0 max (I_s=20mA) : V_{oi} = 1,5Vdc
1 min (I_s=20mA) : V_{oh} = V_{cc}-2,5Vdc

The 5GT electronic can drive long length of cables (consult us)

Protection against short circuits of the electronics: PG5, 5GT
Protection against reverse polarity for all the electronics except 2G2

STANDARD CONNECTION

		-	+	A	B	0	A/	B/	0/	Ground
G6	12 pins CW	1	2	3	4	5	6	7	8	Connector Body
G3	PVC cable 8 wires 8230/020	WH white	BN brown	GN green	YE yellow	GY grey	PK pink	BU blue	RD red	General shielding

ORDERING REFERENCE (Contact the factory for special versions, ex: electronics, special flanges, connections...)

	Shaft Ø	Available electronics		Signals	resolution	Connection	Orientation:	Accessory
JHK5	06 : 6mm up to 14 : 14mm 15mm option	Electronics : 2G2, 5G2, 5G5, 5GT		9 : A,A/,B,B/,0,0/ (0 gated A & B)	2 500 max	G6 : M23 12 pins CW G3 : PVC cable 8 wires	R : radial A : axial Example R020 : radial cable 2m A050 : axial cable 2m	**D3** 9445/024 DAC mounted on body
		Supply	Output stage					
		2:5Vdc 5:11 to 30Vdc P:5 to 30Vdc	G2 : driver 5Vdc RS422 G5 : push-pull GT : transistorized push-pull					
Ex: JHK5_	12 //	P	G5	9 //	2048 //	G3	R020 //	**D3**

Available resolutions : 1 2 3 4 5 6 7 8 9 10 11 12 13 14 15 16 18 19 20 21 23 24 25 26 27 28 29 30 32 33 34 35 36 37 38 40 41 42 43 44 45 48 49 **50** 52 53 54 55 56 57 58 **60** 61 62 63 64 66 67 68 69 70 71 72 73 75 78 80 81 84 85 86 87 90 91 92 94 95 96 97 99 **100** 104 108 109 110 113 114 119 **120** 122 **125 127** 128 129 130 131 132 140 147 **150** 152 155 157 160 167 168 170 176 179 **180** 182 183 185 188 190 191 192 194 196 **200** 205 208 209 215 **216** 217 220 223 226 230 236 **240** 243 245 246 248 **250** 251 **254** 255 **256** 260 264 273 280 284 285 290 292 **300** 305 310 **314** 318 320 325 330 331 333 334 335 340 343 350 355 **360** 364 367 370 **375** 380 381 385 392 393 397 **400** 408 410 420 427 430 450 452 455 470 471 475 480 489 **500 512** 515 516 520 521 530 534 545 560 565 572 580 **600** 620 **625** 628 635 660 672 675 700 712 **720** 722 730 745 **750** 754 **762 768** 785 792 **800** 819 840 850 864 880 889 895 **900** 914 **927** 942 960 **1000** 1016 **1024** 1100 1125 1131 1143 1147 1152 **1200** 1225 **1250 1270 1280** 1300 **1440 1500** 1524 1600 1680 1700 1750 **1800** 1872 1885 1895 1920 **2000 2048** 2064 2100 2160 2250 2256 **2400 2480 2500**

Bold résolution are available in Digisine™ technology

Made in France