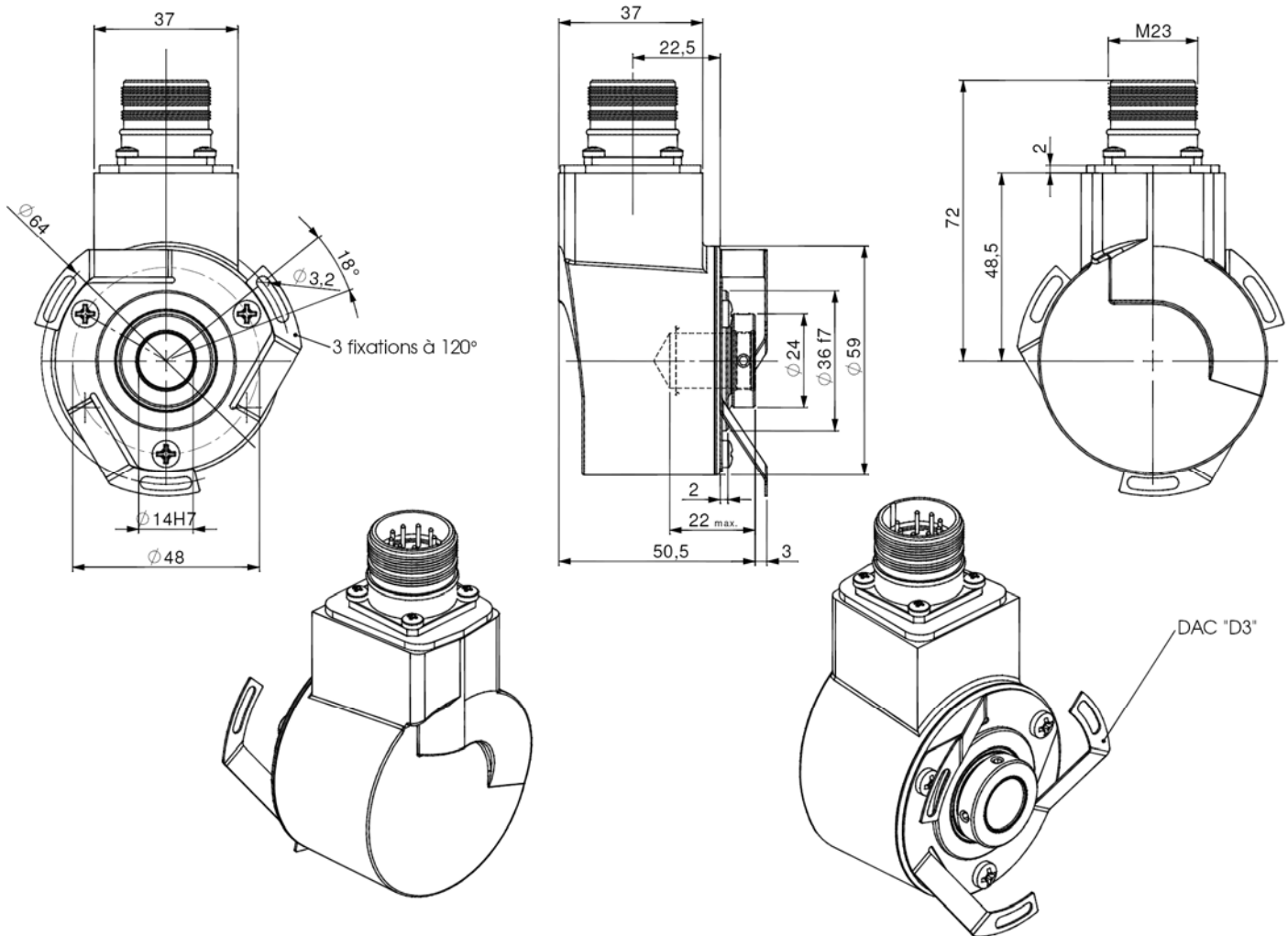


ABSOLUTE MULTITURN ENCODER, PHK5 RANGE, POSI+™

- Extra-flat encoder, blind shaft \varnothing 14 mm, reduction hubs available: 6, 8, 10, 12mm
- Robustness and excellent resistance to shocks / vibrations
- High performances in temperature -20°C to $+85^{\circ}\text{C}$
- Isolated SSI interface, clock from 100 to 500 kHz
- Universal power supply from 5 to 30Vdc
- Protection against short-circuits and inversion of polarity
- High resolutions available: 8192 (13 bits) per turn
- Turn counting up to 65 536 (16 bits)
- 2 inputs : DIRECTION and RAZ
- Available with limit switches (speed, position, temperature) & incremental channels – 2048 points



PHK5_14 connection S6R / S8R (M23 radial), "D3" DAC* mounted on the body



* Accessories to be ordered separately

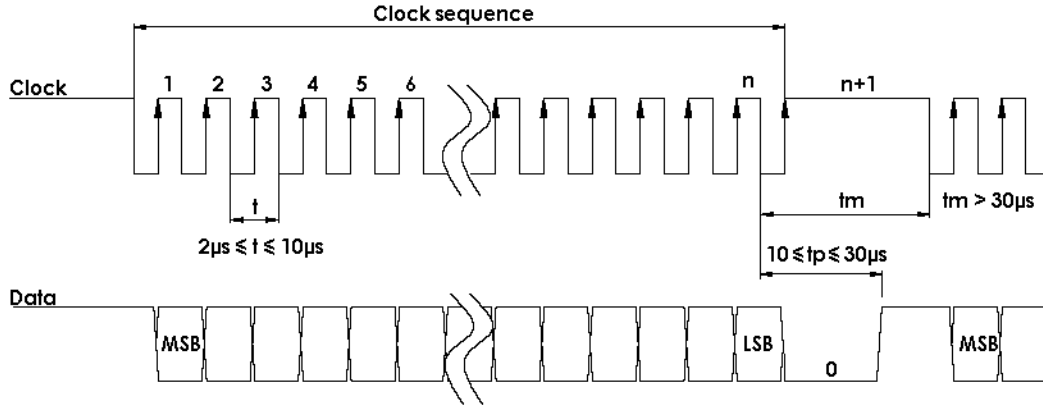
Material	Cover : treated steel	Vibration (EN60068-2-6)	$\leq 100\text{m.s}^{-2}$ (10 ... 2 000 Hz)
	Body: aluminium	EMC	EN 61000-6-4, EN 61000-6-2
	Shaft : stainless steel	Isolation	100V (1 min)
Bearings	6 803 serie	Weight	0,480 kg
Maximum load	Axial : 20 N	Operating temperature	$-20 \dots +85^{\circ}\text{C}$ (encoder T°)
	Radial : 50 N	Storage temperature	$-20 \dots +85^{\circ}\text{C}$
Shaft inertia	$\leq 2,2 \cdot 10^{-6} \text{ kg.m}^2$	Protection(EN 60529)	IP 65
Torque	$\leq 6 \cdot 10^{-3} \text{ N.m}$	Torque (ring pressure screw)	nominal: 1.5N.m, break: 2.0N.m
Permissible max. speed	$6\,000 \text{ min}^{-1}$	Theoretical mechanical lifetime 10° turns ($F_{\text{axial}} / F_{\text{radial}}$)	
Continuous max. speed	$6\,000 \text{ min}^{-1}$	10 N / 25 N	185
Shock (EN60068-2-27)	$\leq 500\text{m.s}^{-2}$ (during 6 ms)	20 N / 50N	24

ABSOLUTE MULTITURN ENCODER, PHK5 RANGE, POSI+™

ELECTRICAL CHARACTERISTIC

Input signal clock CLK	per opto-coupler	Power supply	5 – 30Vdc
Output signal DATA	line - driver RS422	Introduction	< 1 s
Clock frequency CLK	100kHz – 500kHz	Cons. Without load	< 100mA (typically 50-60mA at 24Vdc)
Precision	± ½ LSB (13 bits)	Position refresh	< 200µs

SSI TRANSMISSION



Transmission	Transmission up to 400m* at 100kHz in function of the cable characteristics
Cable	High security of transmission by using shielded twisted pair cable

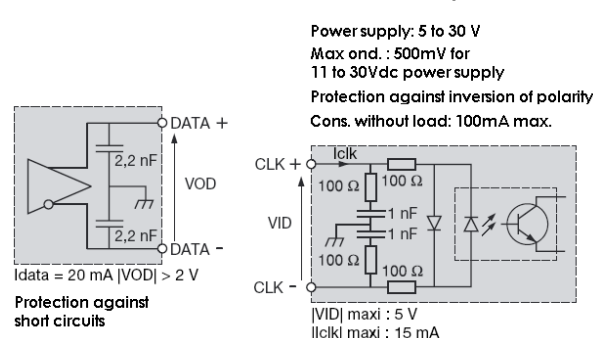
Consult us for length > 100m

SSI CONNECTION (TYPE S6 : BEI IDEACOD STANDARD)

Type	Vcc	Gnd	Clk+	Data+	RAZ	Data-	Clk-	DIRECTION
S6	1	2	3	4	5	6	7	9
S8	8	1	3	2	6	10	11	5

Note : Do not connect other pinouts, connect DIRECTION and RAZ to a potential (RAZ at 0V if not used)

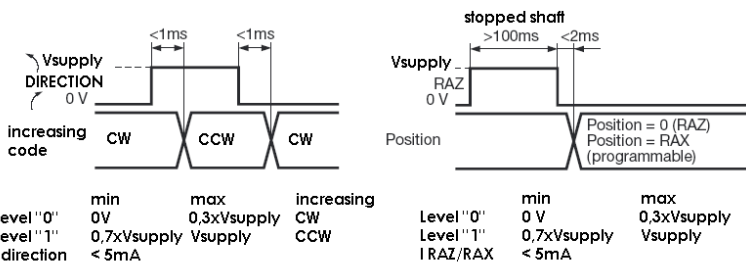
Data output RS422



Isolated Clk input

DIRECTION input

RAZ / RAX input



ORDERING REFERENCE (Contact the factory for special versions, ex: special flanges, connections, electronics...)

	Shaft Ø	Supply	Output stage	Code	Resolution			Connection	Orientation
PHK5	14 : 14mm Nota: reduction hubs available 15mm option	P : 5 to 30Vdc	SS : SSI without parity	B: binary G: Gray	13 B12 D5			S6 : M23 12pins CW for SSI transmission S8: M23 12pins CCW for SSI transmission	R : radiale
					Resolution	Nb of turn	Nb data		
	13: 13 bits	B12: 12 bits	D5: 25 bits						
PHK5_	14 //	P	SS	G //	13	B12	D5 //	S6	R

Made in FRANCE