

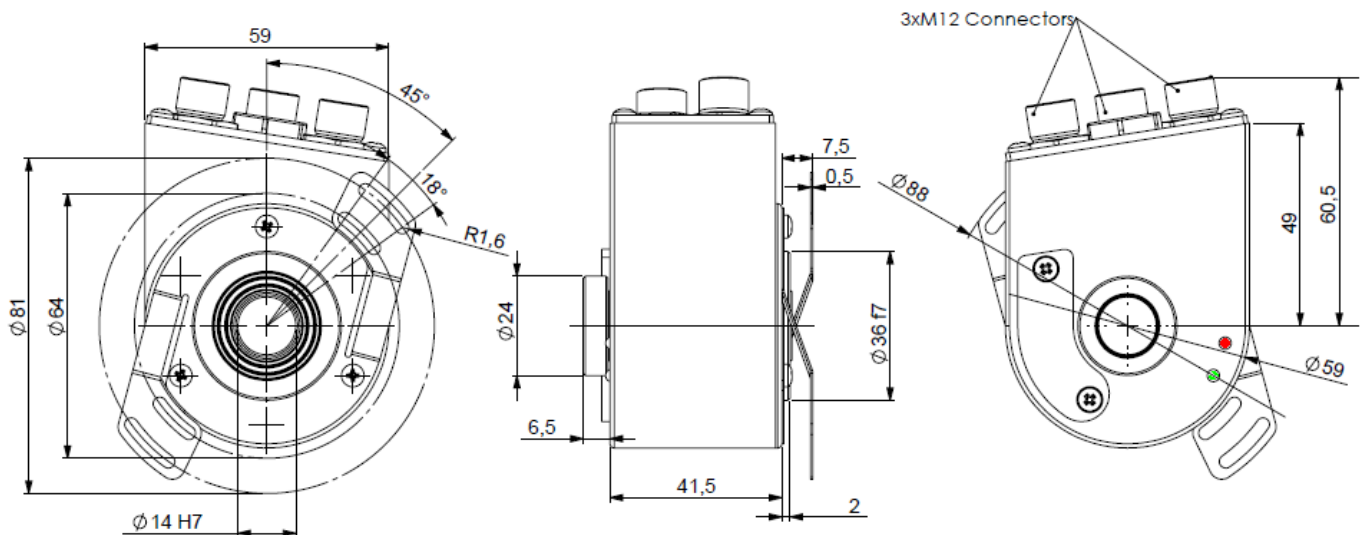
ABSOLUTE MULTI-TURN ENCODER, PROFIBUS INTERFACE, PHO5 SERIE (3 x M12)

PHO5, new generation of Profibus absolute multi-turn encoders :

- Extra-flat encoder, through shaft $\varnothing 14$ mm, reduction hubs available: 6, 8, 10, 12mm,
- Also available in blind shaft version,
- Robustness and excellent resistance to shocks / vibrations,
- 3 ball bearings – 2 in body – 1 on cover,
- Double or triple mounting possibility (incremental or other interfaces),
- High protection level IP65,
- High performances in temperature -20°C to $+85^{\circ}\text{C}$,
- 5 to 30 Vdc power supply,
- Standard resolution : 8192 points per revolution (13 bits resolution),
- High resolution available in option: 65 536 points par revolution (16 bits resolution),
- Turns numerisation up to 65 536 (16 bits),
- Connection via M12 connectors,
- DPV0, Class 2, encoder profile 3.062,
- PHO5 also available with SSI, programmable SSI, CANopen and RS232 interface.



DIMENSION : PHO5 Profibus - connection 3xM12 – with DACs 9445/015* mounted on bearings housing



* Accessory to be ordered separately (standard DAC system : M9445/015)

MECHANICAL CHARACTERISTICS

Material	Cover : treated steel	Shock (EN60068-2-27)	$\leq 500\text{m.s}^{-2}$ (during 6 ms)
	Body: aluminium	Vibration (EN60068-2-6)	$\leq 100\text{m.s}^{-2}$ (10 ... 2 000 Hz)
	Shaft : stainless steel	EMC	EN 61000-6-4, EN 61000-6-2
Bearings	6 803 serie	Isolation	500V (1 min)
Maximal load	Axial : 20 N	Weight approx.	0,700 kg
	Radial : 50 N	Operating temperature	$-20 \dots +85^{\circ}\text{C}$ (Encoder T°)
Shaft inertia	$\leq 2,2 \cdot 10^{-6} \text{kg.m}^2$	Storage temperature	$-20 \dots +85^{\circ}\text{C}$
Torque	$\leq 6 \cdot 10^{-3} \text{N.m}$	Protection(EN 60529)	IP 65
Permissible max. speed	$6\,000 \text{min}^{-1}$	Torque (ring pressure screw)	nominal: 1.5N.m, break: 2.0N.m
Continuous max. speed	$6\,000 \text{min}^{-1}$	Theoretical mechanical lifetime 10^9 turns ($F_{\text{axial}} / F_{\text{radial}}$)	
Shaft seal	Viton	10 N / 25 N : 230	20 N / 50 N : 29

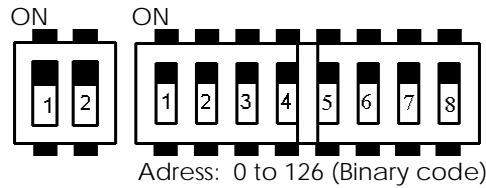
ABSOLUTE MULTI-TURN ENCODER, PROFIBUS INTERFACE, PHO5 SERIE (3 x M12)

GENERALITY

Transmission frequency: from 9.6Kbaud to 12Mbaud.

Electronic interface: opto-isolated RS485.

Adress: permits the addressing of each encoder in an installation (32 master stations or slaves stations per segment without repetitor, 127 maximum with repetitor).



End line resistance termination: 1, 2 "ON" (Beginning or end line)

Switch - on "ON"	1	2	3	4	5	6	7
=	1	2	4	8	16	32	64

Switch 8 on "OFF".

Example: Adress 5: Switch 1 & 3 on "ON", others on "OFF".

PROGRAMMABLE PARAMETERS

Direction : Permits the definition of the counting direction of the encoder (CW or CCW) following its mechanical position.

Resolution : the number of points per turn can be between 0 and 8192, option: 0 to 65536.

Global resolution (MAX RANGE) : Total number of codes of the encoder (2 to 536 870 912, option 2 to 2 147 483 648).

Reset : defines the value of its actual position.

Time base : defines the base time for the speed calculation (10 ms , 100 ms, 1 s, speed in rpm).

CONNECTION

BUS IN (M12 - 5 male pinouts B code)

Signal	NC	BUS A	NC	BUS B	NC
Pinout	1	2	3	4	5

NC : do not connect

BUS OUT (M12 - 5 female pinouts B code)

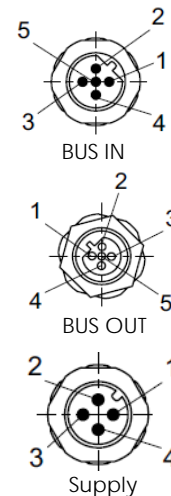
Signal	P5V	BUS A	BUS GND	BUS B	NC
Pinout	1	2	3	4	5

P5V & BUS GND for the connection of the end-line termination resistance.

POWER SUPPLY (M12 - 4 male pinouts A code)

Signal	+Vcc	NC	0Vdc	NC
Pinout	1	2	3	4

Power supply : 5-30V consumption <200 mA (160mA typ)



ORDERING CODE (Special versions upon request, for ex. special flanges/electronics/connections...)

	Shaft Ø	Supply	Interface	Code	Resolution	Turns Nb	Connection	Connection orientation
PHO5	14: 14mm Reduction hub available	P : 5 to 30Vdc	BG : Profibus	B: Binary	13 : 8192 points per turn (2 ¹³) Option 16 : 65 536 points per turn (2 ¹⁶)	B16 : 65 536 turns (2 ¹⁶) B15 : 32768 turns (2 ¹⁵)	BH: 3 connectors M12	R : radial
Ex: PHO5_	14 //	P	BG	B //	13	B16 //	BH	R

Made in FRANCE