

BEI SENSORS

T-SERIES INDUSTRIAL INCLINOMETER ANALOG INTERFACE



T-Series industrial inclinometers are compact high performance sensors used to determine inclination in roll and pitch axes with excellent precision and at a high value. Whether using a molded plastic housing or an AW6082-T6 aluminum alloy housing, both versions offer mechanical stability and an encapsulated sensor. Both have a high environmental protection rating making them ideal for measuring tilt in harsh industrial environments.

Main Features

- Dual Axis Measurement Range up to $\pm 60^\circ$
- Option for a Single Axis Measurement Range of 360°
- High Resolution: 0.01°
- High Accuracy: 0.1°
- Glass Fiber Reinforced Plastic Housing available
- Factory Calibrated Linearity
- Temperature Compensated for Bias and Sensitivity
- Analog Interface: Voltage, Current
- Highest Protection Class: IP69K, IP68

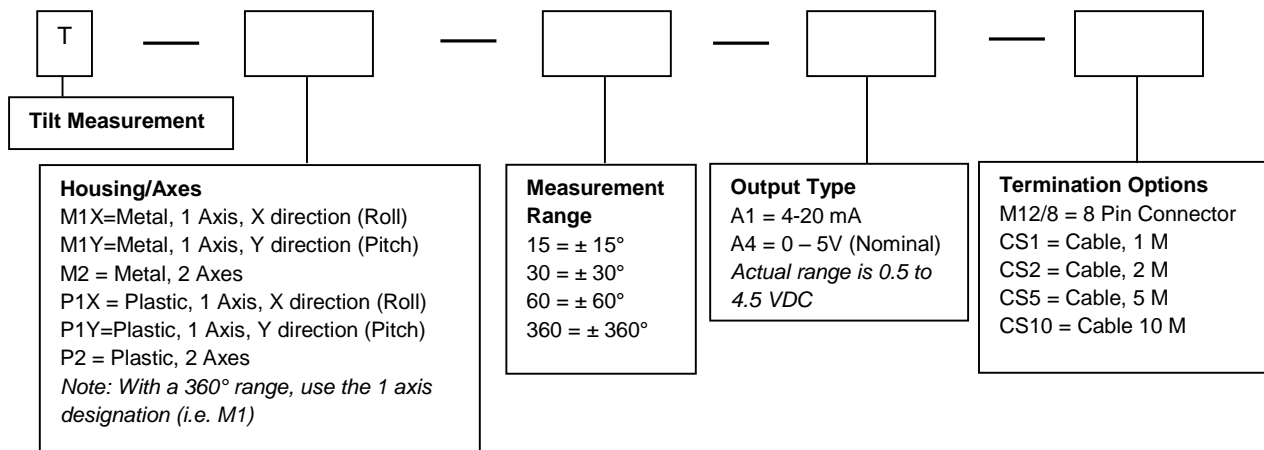
Electrical Features

- Highly Integrated Circuit in SMD-Technology
- Reverse Polarity Protection
- Over Voltage Peak Protection

Applications

- Measurement of Inclination (pitch and roll) and Rotational Movements
- Cranes and Construction Machines
- Robotic Arms & Positioning Systems
- Mobile Platform stabilization
- Marine & Offshore Machinery

Model Ordering Options



North 1461 Lawrence Dr, Thousand Oaks CA 91320 USA
America: Tel: 805-716-0322 | sales.beisensors@sensata.com

Europe: Espace Européen de l'Entreprise, 9, rue de Copenhague, B.P. 70044 Schiltigheim, F 67013
Strasbourg Cedex FRANCE; Tél : +33 (0)3 88 20 80 80 | info.beisensors@sensata.com

Electrical Data

Model		T- M2 (or P2)- (Range)			T-M1 (or P1) - 360
		15	30	60	
Measurement Range		± 15°	± 30°	± 60	360°
Number of Axes		2 (Standard), 1 optional			1
Analog Interface	Voltage	0.5 to 4.5 V, 0° = 2.5 V Load ≥ 10 KΩ with 12 V DC			0.5 to 4.5 V, 0° = 0.5 V Load ≥ 10 KΩ with 12 V DC
	Current	4 mA to 20 mA, 0° = 12 mA Load ≤ 270 Ω ¹			4 mA to 20 mA, 0° = 4 mA Load ≤ 270 Ω ¹
Resolution		0.01°			
Accuracy (T = -10 °C to +40 °C)²		0.1°			
Sensor Response Time		10 ms (Without Filter)			
Recommended Measurement Rate		Up to 10 Hz			
Supply Voltage³		10 to 30 V DC (Absolute Maximum Ratings) for Voltage Analog Interface 15 to 30 V DC (Absolute Maximum Ratings) for Current Analog Interface			
Power Consumption		≤ 0.7 W			
EMC		Emitted Interference: EN 61000-6-4			
		Noise Immunity: EN 61000-6-2			
Connection		Connector Output, 8 Pin M12 male (A-coded)			

Mechanical Data

Housing Material (Plastic)	Glass Fiber Reinforced PBT (Polybutylene Terephthalate)
Housing Material (Metal)	AW6082 Corrosion resistant Aluminum alloy, passivated
Potting Material	PUR (Polyurethane)
Shock (EN 60068-2-27)²	≤ 100 g (half sine, 6 ms)
Vibration (EN 60068-2-6)²	1.5mm (10 to 58 Hz) & ≤ 20 g (58 to 2000 Hz)

¹ R_L < 500Ω with 15 V DC

² Further data available on request

³ Inclometers should be connected only to subsequent electronics whose power supplies comply with EN 50178 (Protective Low Voltage)

BEI SENSORS

Weight | 75 gm / 3 oz

Environmental Conditions

Operating Temperature	-40 °C to +85 °C / -40 °F to 185 °F
Humidity	98 % Relative Humidity, Non-Condensing
Protection Class (EN 60529)	IP 69K (With Appropriate Mating Connector and mounting), IP68

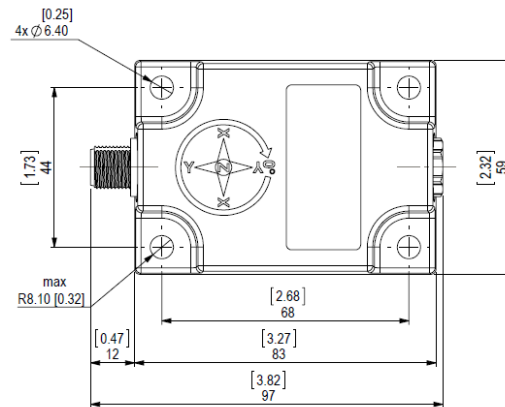
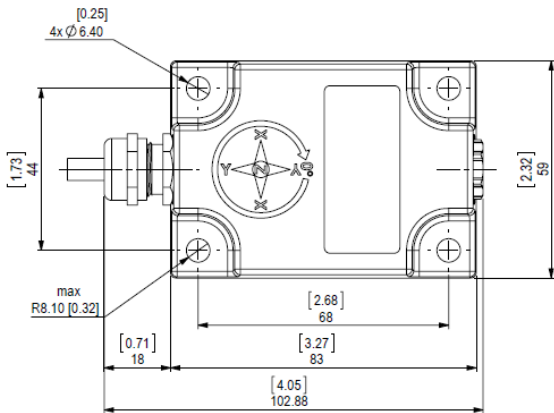
Mechanical Drawings

Metal Housing Option

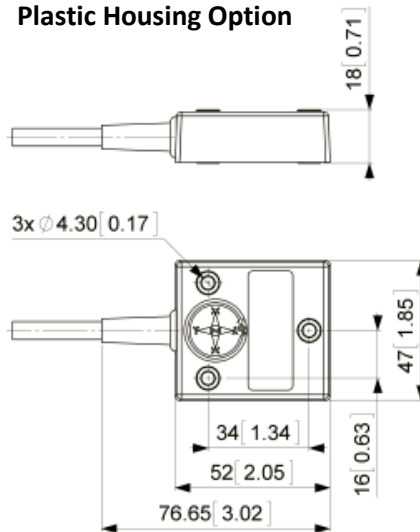
Cable Termination



Connector Termination



Plastic Housing Option



Dimensions in mm and [inches]

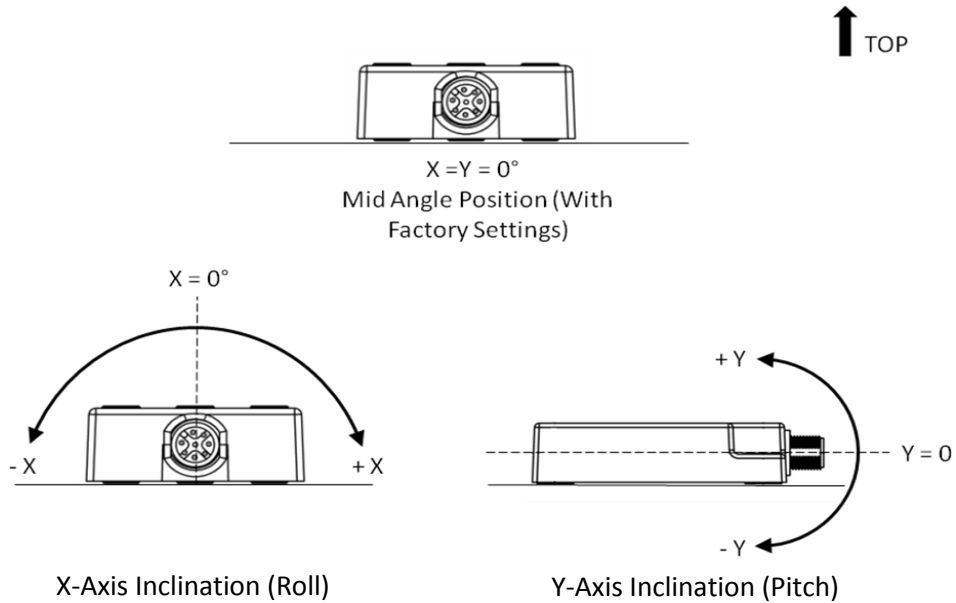
North 1461 Lawrence Dr, Thousand Oaks CA 91320 USA
America: Tel: 805-716-0322 | sales.beisensors@sensata.com

Europe: Espace Européen de l'Entreprise, 9, rue de Copenhague, B.P. 70044 Schiltigheim, F 67013
 Strasbourg Cedex FRANCE; Tél : +33 (0)3 88 20 80 80 | info.beisensors@sensata.com

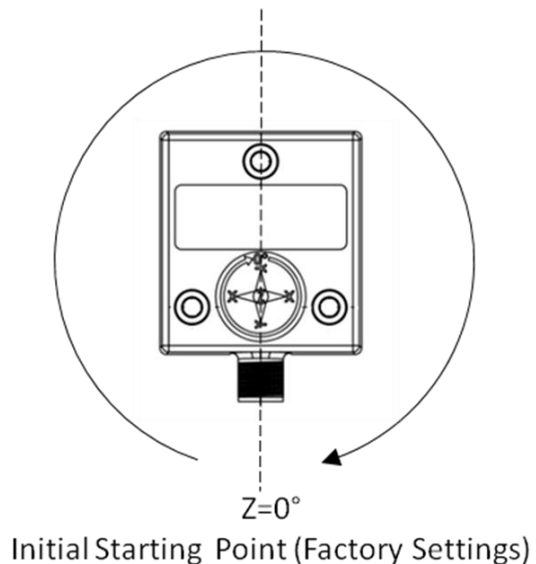
Specification No. 02139-001 REV E

www.beisensors.com

Measurement Axes (Two Axis Units)



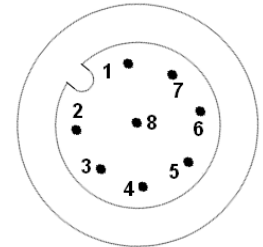
Measurement Axis - 360 (Single Axis Inclinometer)



Pin Assignment

The inclinometer is connected via an 8 pin M12 A-coded round connector.
(Standard M12, Male side at sensor, Female at mating connector).

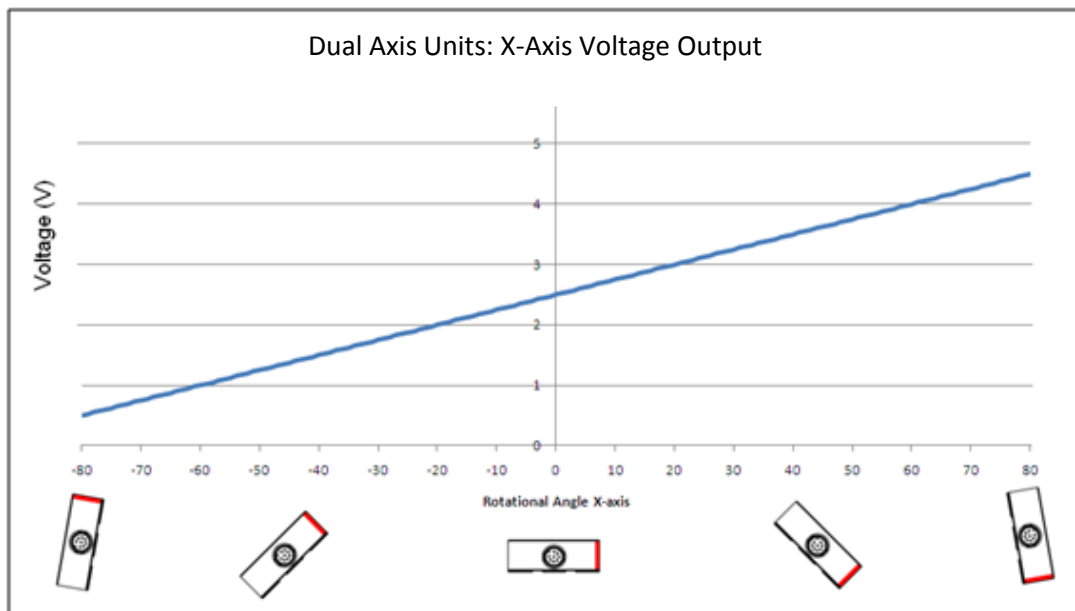
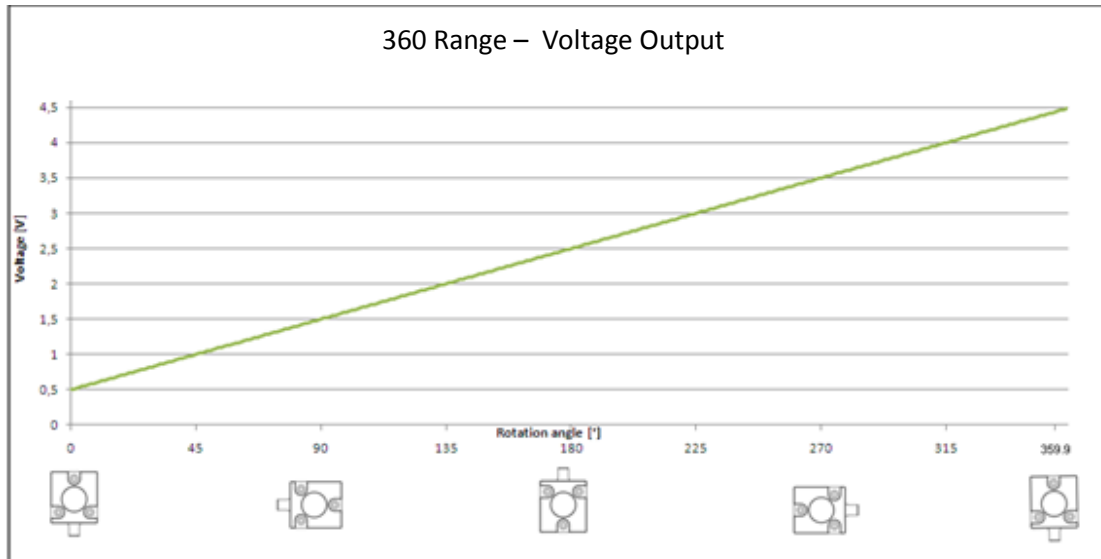
Pin	Cable Color	Dual-Axis Units	Single Axis, 360° Units
1	Red	V _s Supply Voltage	V _s Supply Voltage
2	Gray	Spare (N/C) ¹	Spare (N/C)
3	Pink	Spare (N/C)	Spare (N/C)
4	Yellow	Ground (Signal Common)	Ground (Signal Common)
5	Green	X-axis Analog Output ²	Z -Axis Analog Output ²
6	Brown	Spare (N/C)	Spare (N/C)
7	Blue	Y-axis Output Analog ²	Spare (N/C)
8	White	Spare (N/C)	Spare (N/C)

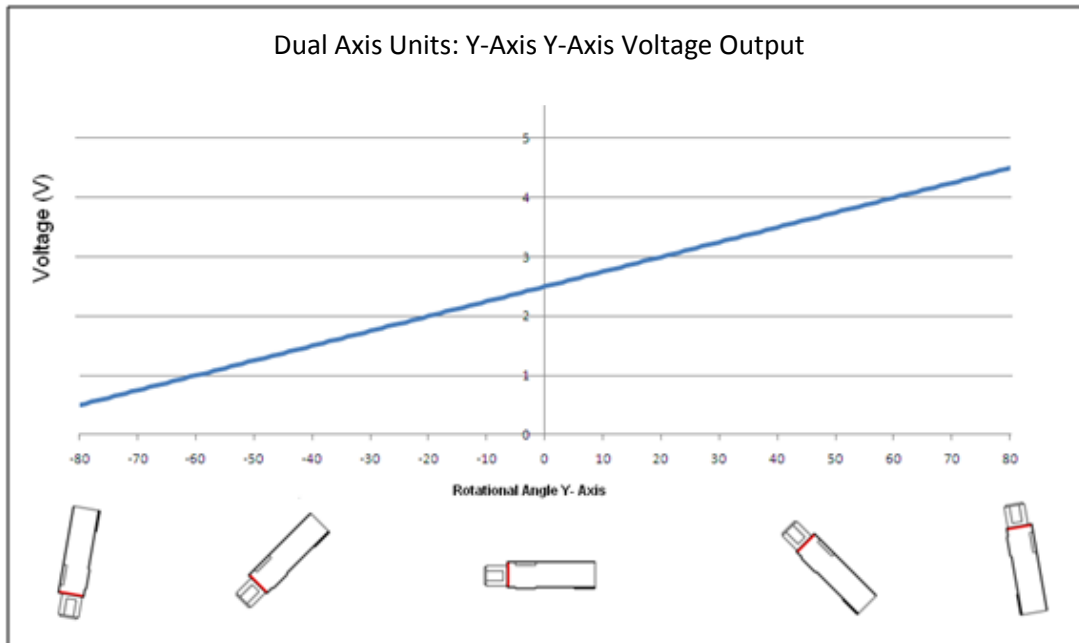


¹ Items marked Spare (N/C) should not be connected

² For single axis units, either the X-axis or the Y-axis is active as specified in the model. If not active, treat the axis as a Spare (N/C)

Voltage Output





Disclaimer

© BEI Sensors all rights reserved. We do not assume responsibility for technical inaccuracies or omissions. Specifications are subject to change without notice.

North America: 1461 Lawrence Dr, Thousand Oaks CA 91320 USA
Tel: 805-716-0322 | sales.beisensors@sensata.com

Europe: Espace Européen de l'Entreprise, 9, rue de Copenhague, B.P. 70044 Schiltigheim, F 67013
Strasbourg Cedex FRANCE; Tél : +33 (0)3 88 20 80 80 | info.beisensors@sensata.com

Specification No. 02139-001 REV E

www.beisensors.com