

## INCREMENTAL ENCODERS, DHO5 RANGE, 100°C

**DIGISINE™** universal encoder :

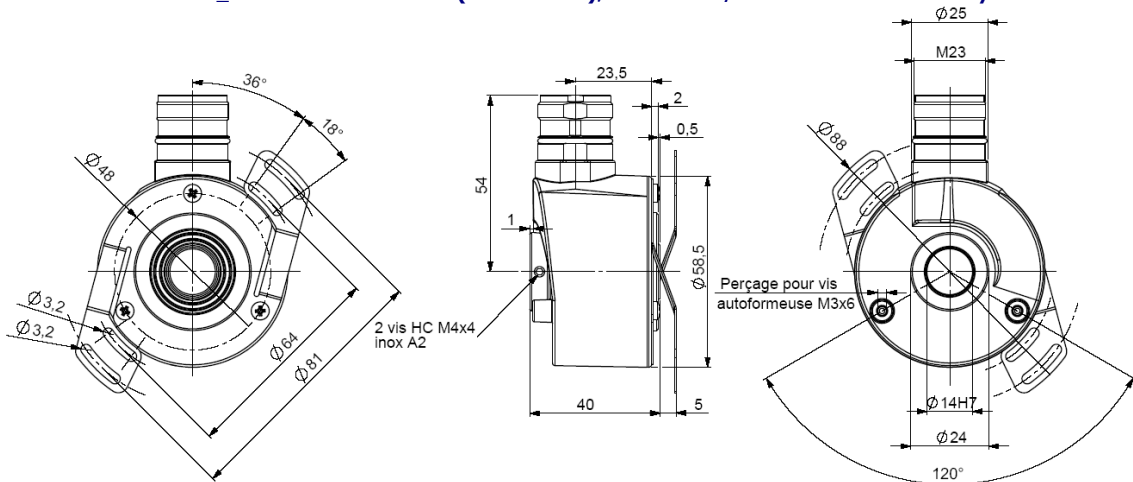
- Through hollow shaft version Ø14mm, with reduction hubs in aluminium of 6, 8, 10 and 12 mm
- Easy mounting for the hollow shafts thanks to DAC (Anti-Coupling Device)
- Robustness and excellent resistance to shocks / vibrations
- High protection level IP65
- High resolutions available : up to 80 000 cpt
- Universal electronic circuits from 4.75 to 30 Vdc
- High performances in temperature -30°C to 100°C (option -40°C)
- High performances in frequency of output signals : 300 kHz



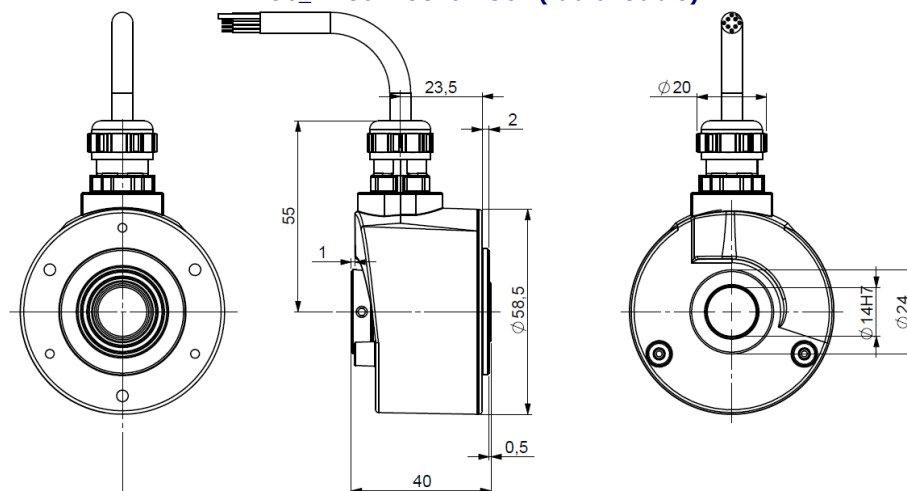
2004/108/CE



### DHO5\_14 connection G6R (radial M23), DAC 9445/015 mounted on body



### DHO5\_14 connection G3R (radial cable)



## Mechanical Characteristics:

Material	Cover : zinc alloy	Shocks (EN60068-2-27)	≤ 500 m.s <sup>-2</sup> (during 6 ms)
	Body : aluminum	Vibrations (EN60068-2-6)	≤ 100 m.s <sup>-2</sup> (55 ... 2 000 Hz)
	Shaft : stainless steel	EMC	EN 50081-1, EN 61000-6-2
Bearings	6 803 serie	Isolation	1 000 V eff
Maximum loads	Axial : 20 N	Encoder weight (approx.)	0,300 kg
	Radial : 50 N	Operating temperature	- 30 ... + 100°C (encoder T°)
Shaft inertia	≤ 2.2.10 <sup>-6</sup> kg.m <sup>2</sup>	Storage temperature	- 40 ... + 100°C
Torque	≤ 6.10 <sup>-3</sup> N.m	Protection(EN 60529)	IP 65
Permissible max. speed	9 000 min <sup>-1</sup>	Torque (ring pressure screw)	0,7...0,9 Nm
Continuous max. speed	6 000 min <sup>-1</sup>	Theoretical mechanical lifetime 10 <sup>9</sup> turns (F <sub>axial</sub> / F <sub>radial</sub> )	
Shaft seal	Viton	10N / 25N : 230	20N / 50N : 29

## INCREMENTAL ENCODERS, DHO5 RANGE, 100°C

### Electrical Characteristics:

Version	Output signals	Resolution	Operating Voltage Vcl	Supply current (no loads)	Current per channel pair	Output Levels (Is=20mA)	Frequency capability	Short circuits proof	Reverse polarity tolerant	Temperature range	
5GT	HTL	Up to 5000	11-30V 250mA	75mA	40mA	High min: Vcl - 2.5V Low max: 1.5V	Up to 120kHz	Yes	Yes	-30°C +70°C (1)	
RG5		See available resolutions below	4.75-30V 250mA			High min: Vcl - 0.5V Low max: 0.5V				Up to 300kHz	Yes (except to Vcl)
RG2	TTL RS422					5V +/-5% 250mA	High min: 4.5V Low max: 0.5V	Yes			
2G2					1Vpp		Up to 2500				
2WT											

(1) UL listed: -20°C +70°C. Device must be supplied by a Class 2, LPS or SELV limited energy source.

(2) UL listed: -20°C +80°C. Device must be supplied by a Class 2, LPS or SELV limited energy source.

### Connections:

		-	+	A or S	B or C	Z	A/ or S/	B/ or C/	Z/	Ground
GM	M12 - 8 pins	1	2	3	4	5	6	7	8	Connector Body
G6	M23 - 12 pins CW	1	2	3	4	5	6	7	8	Connector Body
G8	M23 - 12 pins CCW	10 + 11	2 + 12	8	5	3	1	6	4	Connector Body
U3	PVC cable 8 wires	WH white	BN brown	GN green	YE yellow	GY grey	PK pink	BU blue	RD red	General shielding
GC	PUR cable 8 wires	BK black	RD red	GN green	BN brown	VT violet	YE yellow	OG orange	BU blue	General shielding
G3	PVC cable 8 wires (not UL)	WH white	BN brown	GN green	YE yellow	GY grey	PK pink	BU blue	RD red	General shielding
GP	PUR cable 12 wires (not UL)	WH white + WH/GN white /green	BU blue + BN/GN brown / green	GY grey	BN brown	RD red	PK pink	GN green	BK black	General shielding
TE	Silicone cable (3) 8 wires (not UL)	WH white	BN brown	GN green	YE yellow	GY grey	PK pink	BU blue	RD red	General shielding

(3) Advised cable for mobile application, in extreme temperature from -40°C to +100°C

### Available resolutions:

**Available resolutions digital signals:** 50 60 100 120 125 127 150 180 200 240 250 256 300 314 360 375 400 500 512 600 720 750 768 800 927 1000 1024 1200 1250 1280 1440 1500 1800 2000 2048 2400 2500 3000 3600 4000 4096 5000

**Interpolated available resolutions digital signals (limited to 70°C):** 1080 1536 2880 3072 4320 4500 5120 5400 5760 6000 6144 7200 7500 8000 8192 9000 10000 10240 10800 12000 12500 12288 14400 15000 16000 16384 18000 20000 20480 21600 24000 24576 25000 28800 30000 32000 32768 36000 40000 40960 43200 48000 49152 50000 57600 60000 64000 65536 80000

**Available resolutions sine wave signals (2WT electronic) :** 250 256 360 500 512 1000 1024 1500 1800 2000 2048 2500

### Ordering Options:

Use this diagram, working from left to right to construct your model number (Example : **DHO5\_14//RG59//01024//G6R//\*\*DD\*\***)

DHO5	--	//	---	-	//	-----	//	---	---	//	** -- **
TYPE:	SHAFT BORE:		VOLTAGE/ OUTPUT:	CHANNELS:		CYCLES/ TURN:		OUTPUT TERMINATION:	CABLE LENGTH:		FLANGE:
DHO5 = Through shaft encoder	14 = 14mm  reduction hubs available up to 6mm		5GT = 11-30V voltage and push- pull output RG5 = 4.75-30V voltage and push- pull output 2G2 = 5V voltage and RS422 output RG2 = 4.75-30V voltage and RS422 output 2WT = 5V voltage and 1Vpp output	9 = AA/ BB/ ZZ/ B before A Z gated A&B  For 2WT electronic, N= SS/ CC/ ZZ/ C before S Z ungated		(Enter Cycles)  See available resolutions above		G3R = PVC cable GCR = PUR cable GPR = PUR cable (not UL) TER = Silicone cable (not UL)  GMR = M12 G6R = M23 12 pins CW G8R = M23 12 pins CCW	xxx = cable length ex. 020 = 2meters  Blank (no cable)		**DD** = 9445/015 anti- rotation

Made in France