

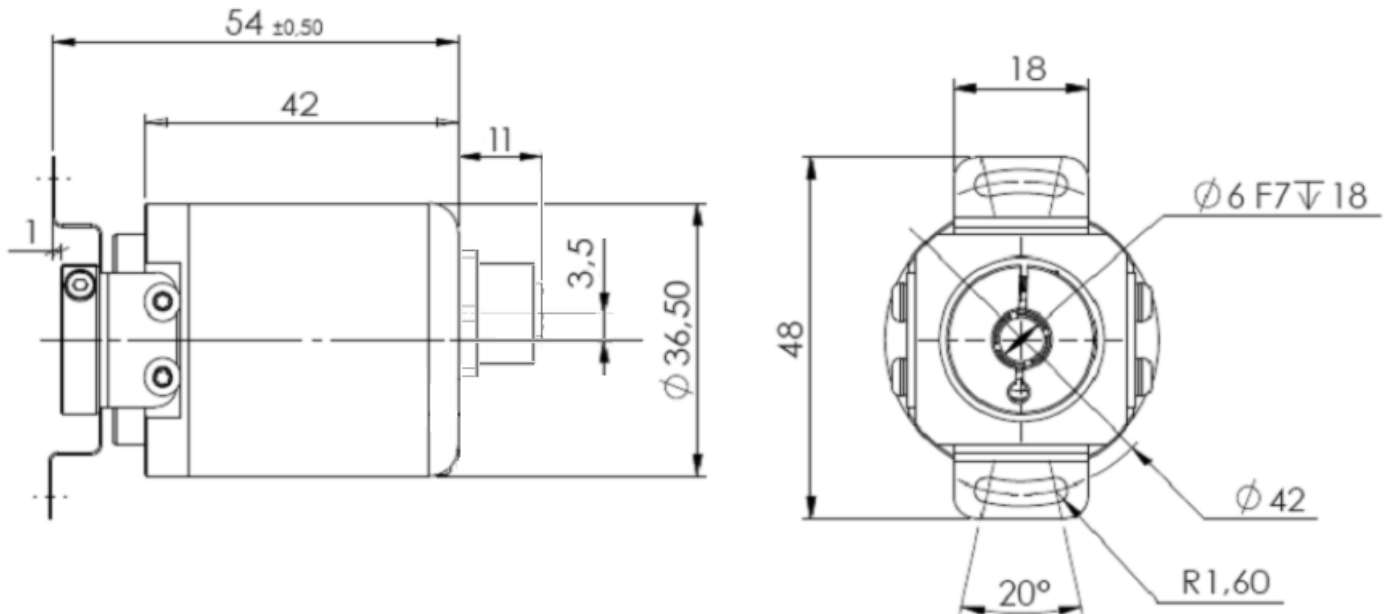
MAGNETIC ANALOG ABSOLUTE MULTI-TURN ENCODERS - SERIE THK4

THK4, Ø36mm multiturn encoder with analog output:

- Robust and compact conception.
- Ø 6 mm blind shaft version.
- Precision ball bearings with seal.
- High temperature performances -40°C to 85°C.
- Magnetic technology encoder.
- Patented battery backup free counter.
- Analog output 4-20mA, 0-20mA, 0.5-5Vdc, 0-5Vdc or 0-10Vdc.
- Analog output calibration possibility (angle minimum 22.5°).
- Resolution : 12 bits over entire measuring range.
- Polarity inversion and over-voltage-peak protection.
- Highly integrated circuit in SMD-technology.



DIMENSIONS: THK4_06 AXIAL M12



Minimal hollow shaft depth : 8mm.
Maximal hollow shaft depth : 18mm.

MECHANICAL CHARACTERISTICS

Material	Cover : nickel, plated steel	Shocks (EN 60068-2-27)	≤ 100 g (half-sine, 6 ms)
	Body : aluminium	Shocks (EN 60028-2-29)	≤ 10 g (half-sine, 16ms)
	Shaft : stainless steel	Vibrations (EN 60068-2-6)	≤ 10 g (10Hz... 1 000Hz)
Maximal loads	Axial : 20 N	Weight (approx.)	200 g
	Radial : 80 N	Operating temperature	- 40 ... + 85°C
Shaft inertia	≤ 20 g.cm ²	Storage temperature	- 40 ... + 85°C
Torque	≤ 2 N.cm	Humidity	98 % without condensation
Continuous max. speed	12 000 min ⁻¹	Protection class	Cover: IP64

MAGNETIC ANALOG ABSOLUTE MULTI-TURN ENCODERS - SERIE THK4

ELECTRICAL CHARACTERISTICS

Single turn technology	Magnetic 2 axis Hall sensor	Cycle period	< 600 µs
Resolution of output	Max 12 bits over entire measuring range	Turn on time	< 1 s
Multiturn technology	Self supplied magnetic pulse counter	Current consumption	Typical: 50mA
Max. number of turns	Programmable	Electrical life-time	> 10 ⁵ h
Single turn accuracy	+/- 0,35°	EMC	EN 61000-6-4 EN 61000-6-2
Linearity	0.15 %	Load resistance	Current: <500Ohms
Supply voltage	12 – 30Vdc		Voltage: >10kOhms

ANALOG CONNECTION

Reference	Type	1	2	3	4	5	Ground
00	M12 5 pinouts	Analog output	+Vcc	GND	SET 2	SET 1	Connector body

INPUTS

Set 2	Set 1	Function
0 (N.C. or GND)	0 (N.C. or GND)	Normal operation
0 (N.C. or GND)	1 (> 12Vdc)	Preset zero point (non turning shaft)
1 (> 12Vdc)	0 (N.C. or GND)	Preset max point (non turning shaft)
1 (> 12Vdc)	1 (> 12Vdc)	Pdefault scale (non turning shaft)

ORDERING REFERENCE (Contact the factory for special versions, ex: special flanges, connections...)

THK4_	06	//	5	L3	0	//	00B00	//	00A
Absolute multi-turn encoder	Blind shaft 6mm		Power supply: 12 to 30Vdc	L3 : 4-20mA L4 : 0-20mA L1 : 0-10Vdc	Programmable encoder		Absolute multi-turn encoder Standard configuration: 16 turns		Axial M12 5 pinouts